
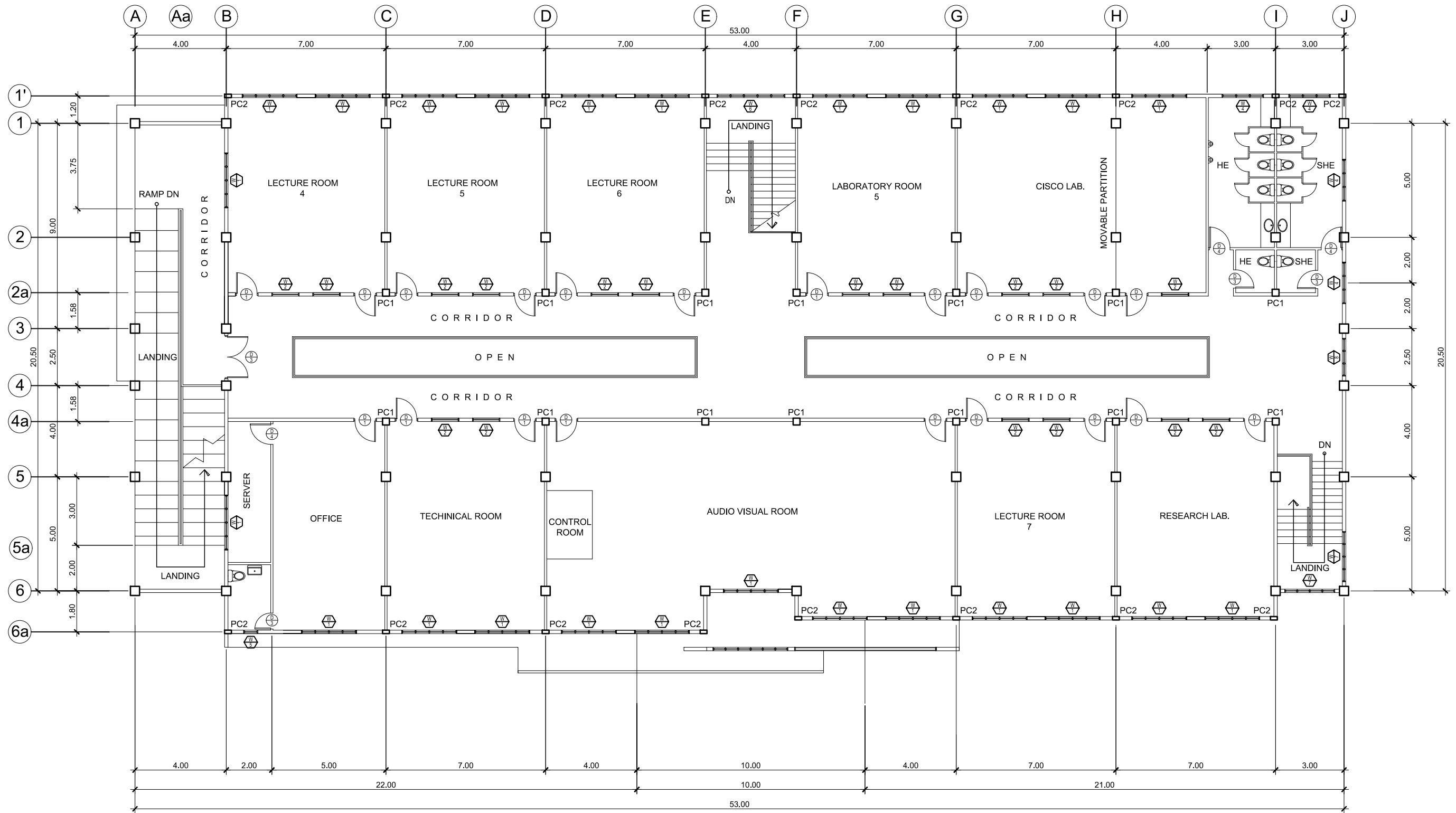


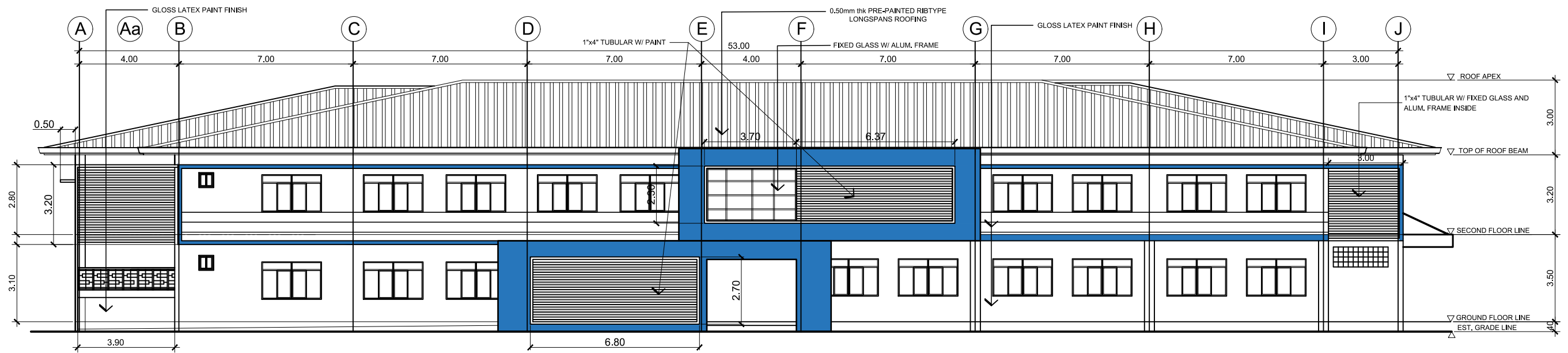
GROUND FLOOR PLAN
SCALE 1 : 175 M.

| | | | | | | |
|---|---|--|---|--|----------------------------------|--------------------------|
|  <p>SOUTHERN LEYTE STATE UNIVERSITY SOGOD, SOUTHERN LEYTE</p> | PREPARED BY : RYAN A. MACUTO REG. CIVIL ENGINEER ROBERTO B. PARANAS REG. CIVIL ENGINEER | PROJECT : PROPOSED COMPLETION OF ICT BUILDING (PHASE II) | OWNER : SOUTHERN LEYTE STATE UNIVERSITY | APPROVED AS PER PLAN : PROSE IVY G. YEPES, Ed. D. UNIVERSITY PRESIDENT | SHEET CONTENT AS SHOWN | SHEET NO. A-01 |
| | RAYMART BULGASAC REG. CIVIL ENGINEER LIZANDRO C. BITANG REG. ELECTRICAL ENGINEER | LOCATION: SLSU-MAIN CAMPUS, SAN ROQUE, SOGOD SOUTHERN LEYTE | ADDRESS: SOGOD, SOUTHERN LEYTE | CHECKED : DRAWN : SCALE APPROVED : DATE : AS SHOWN @ 20x30 | PROJ. NO. | |

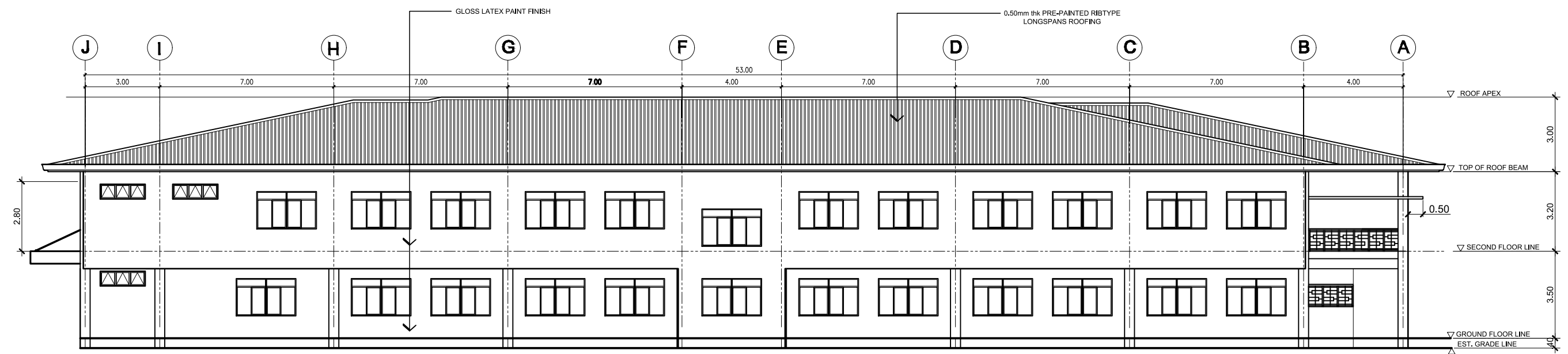


A
A-02
SECOND FLOOR PLAN
 SCALE 1 : 175 M.


| | | | | | | | | | |
|--|---|--|---|---|--|---|---|----------------------------------|--------------------------|
| | SOUTHERN LEYTE STATE UNIVERSITY SOGOD, SOUTHERN LEYTE | | PREPARED BY : RYAN A. MACUTO <small>REG. CIVIL ENGINEER</small> | ROBERTO B. PARANAS <small>REG. CIVIL ENGINEER</small> | PROJECT : PROPOSED COMPLETION OF ICT BUILDING (PHASE II) | OWNER : SOUTHERN LEYTE STATE UNIVERSITY | APPROVED AS PER PLAN : PROSE IVY G. YEPES, Ed. D. <small>UNIVERSITY PRESIDENT</small> | SHEET CONTENT AS SHOWN | SHEET NO. A-02 |
| | | | RAYMART BULAGSAC <small>REG. CIVIL ENGINEER</small> | LIZANDRO C. BITANG <small>REG. ELECTRICAL ENGINEER</small> | LOCATION: SLSU-MAIN CAMPUS, SAN ROQUE, SOGOD SOUTHERN LEYTE | ADDRESS: SOGOD, SOUTHERN LEYTE | CHECKED : DRAWN : SCALE AS SHOWN @ 20x30 | PROJ. NO. | |
| | | | APPROVED : DATE : | | | | | | |

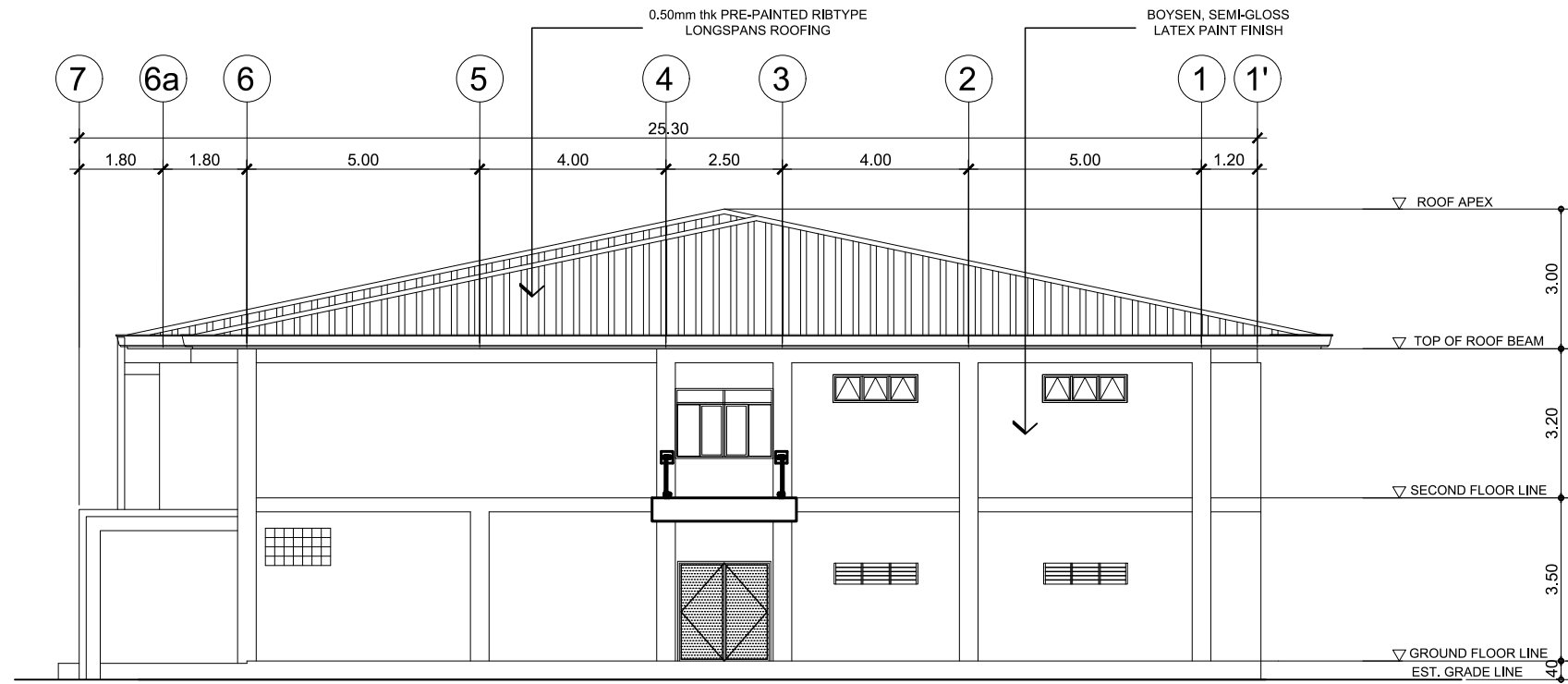


FRONT ELEVATION
 SCALE 1 : 175 M.

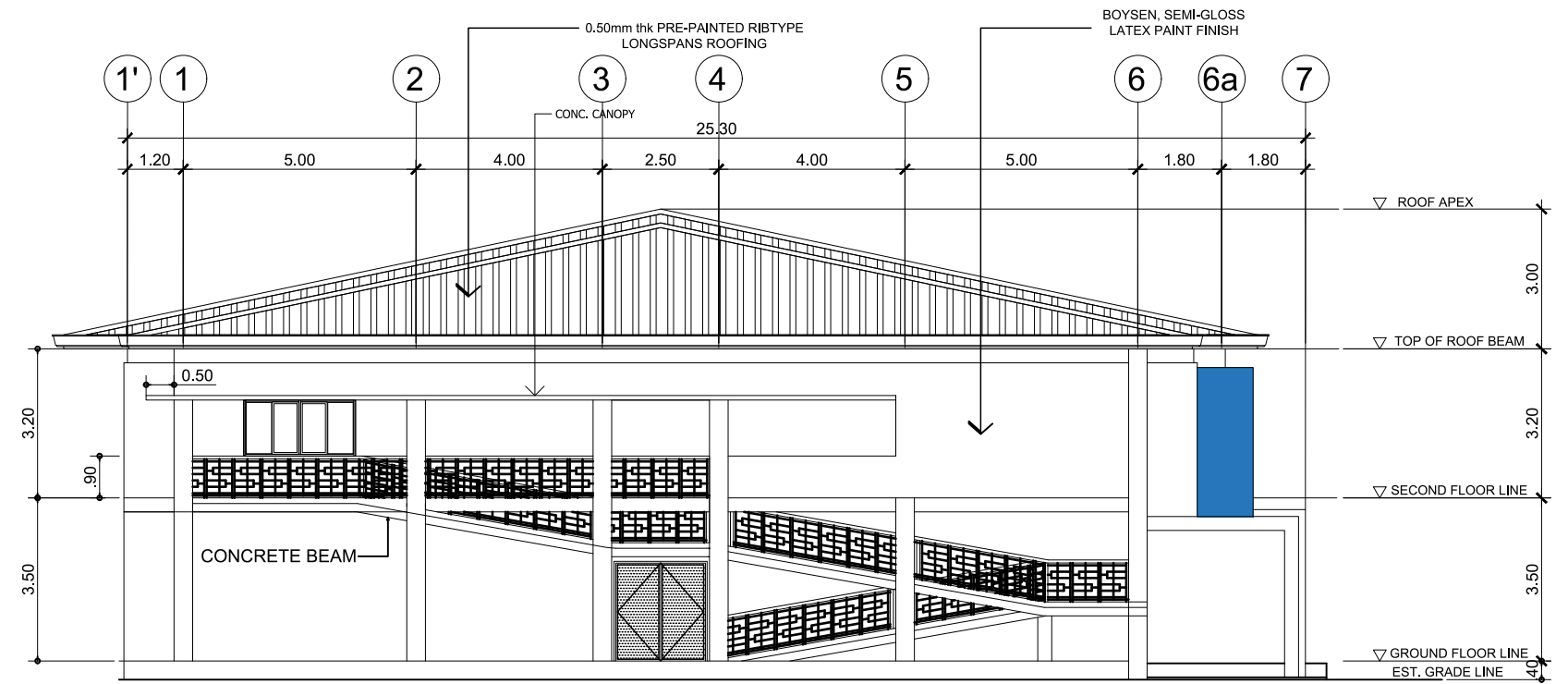


REAR ELEVATION
 SCALE 1 : 175 M.

| | | | | | | |
|---|--|--|---|--|---|--------------------------|
|  SOUTHERN LEYTE STATE UNIVERSITY SOGOD, SOUTHERN LEYTE | PREPARED BY : RYAN A. MACUTO REG. CIVIL ENGINEER | PROJECT : PROPOSED COMPLETION OF ICT BUILDING (PHASE II) | OWNER : SOUTHERN LEYTE STATE UNIVERSITY | APPROVED AS PER PLAN : PROSE IVY G. YEPES, Ed. D. UNIVERSITY PRESIDENT | SHEET CONTENT AS SHOWN | SHEET NO. A-03 |
| | RAYMART BULAGSAC REG. CIVIL ENGINEER | ROBERTO B. PARANAS REG. CIVIL ENGINEER | LOCATION: SLSU-MAIN CAMPUS, SAN ROQUE, SOGOD SOUTHERN LEYTE | ADDRESS: SOGOD, SOUTHERN LEYTE | CHECKED : DRAWN : SCALE AS SHOWN @ 20x30 | PROJ. NO. |
| | LIZANDRO C. BITANG REG. ELECTRICAL ENGINEER | APPROVED : DATE : | | | | |



RIGHT ELEVATION
 A-04 SCALE 1 : 175 M.



LEFT ELEVATION
 B-04 SCALE 1 : 175 M.



SOUTHERN LEYTE STATE UNIVERSITY
 SOGOD, SOUTHERN LEYTE

PREPARED BY :

RYAN A. MACUTO
 REG. CIVIL ENGINEER

RAYMART BULAGSAC
 REG. CIVIL ENGINEER

ROBERTO B. PARANAS
 REG. CIVIL ENGINEER

LIZANDRO C. BITANG
 REG. ELECTRICAL ENGINEER

PROJECT :

PROPOSED COMPLETION OF ICT BUILDING (PHASE II)

LOCATION: SLSU-MAIN CAMPUS, SAN ROQUE, SOGOD SOUTHERN LEYTE

OWNER :

SOUTHERN LEYTE STATE UNIVERSITY

ADDRESS: SOGOD, SOUTHERN LEYTE

APPROVED AS PER PLAN :

PROSE IVY G. YEPES, Ed. D.
 UNIVERSITY PRESIDENT

SHEET CONTENT

AS SHOWN

CHECKED :
 APPROVED :

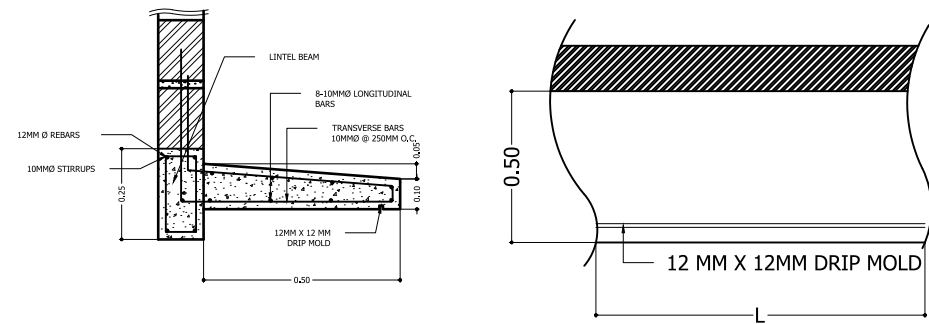
DRAWN :
 DATE :

SCALE
 AS SHOWN @ 20x30

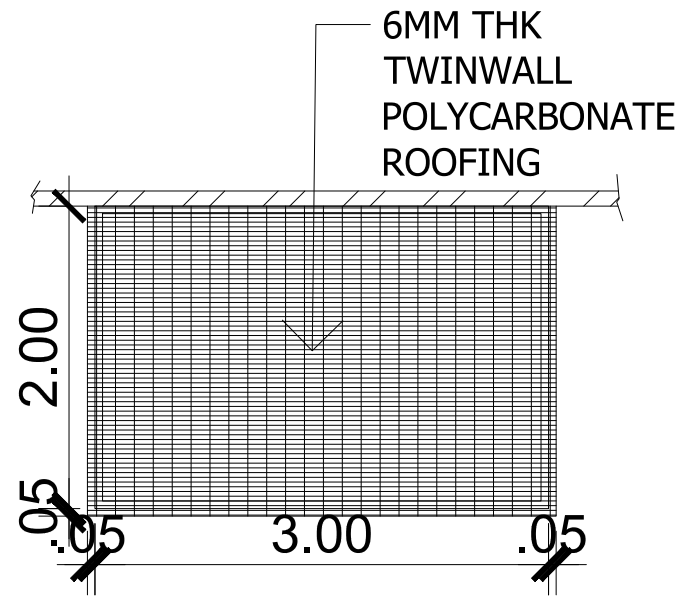
SHEET NO.

A-04

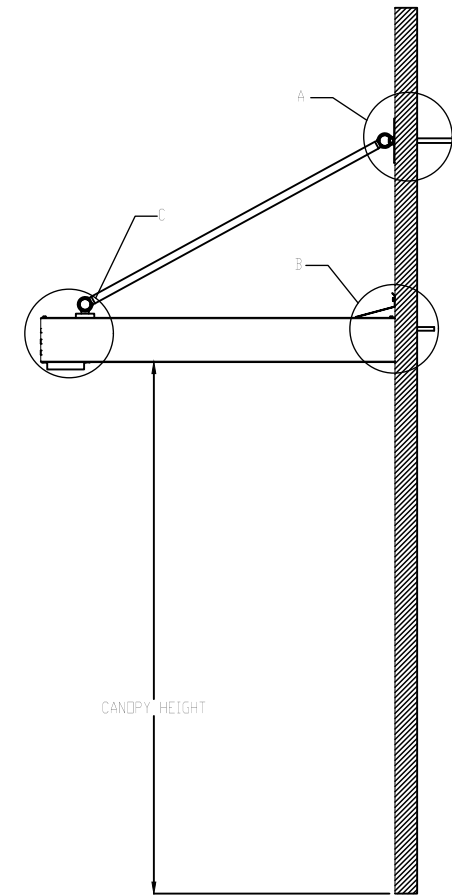
PROJ. NO.



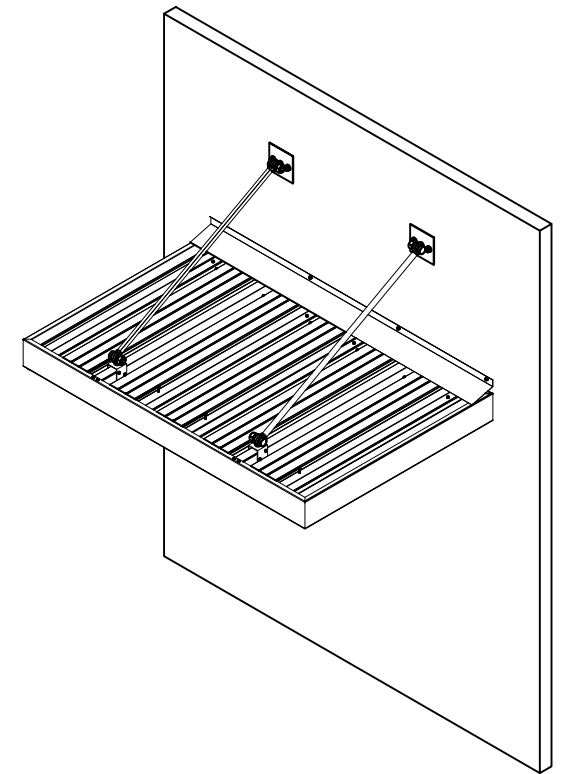
A
A-05 SCALE 1 : 25 M.



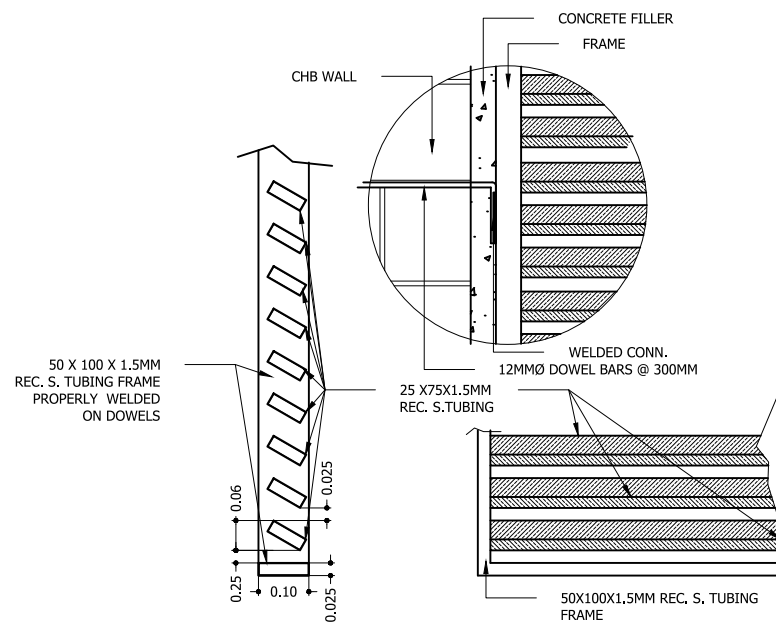
PLAN



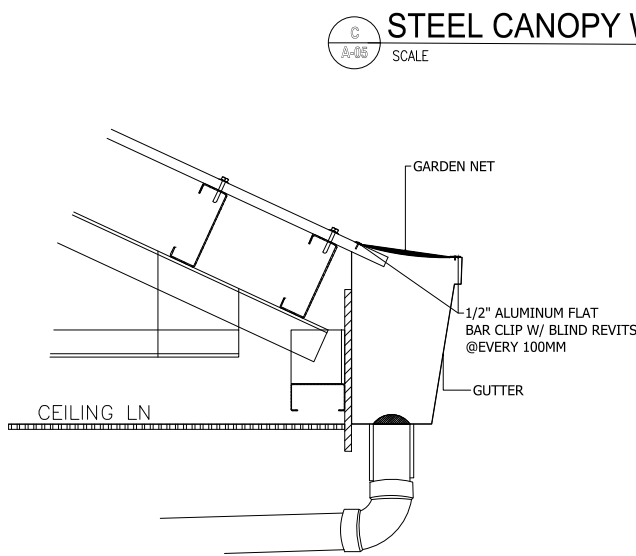
ELEVATION



PERSPECTIVE

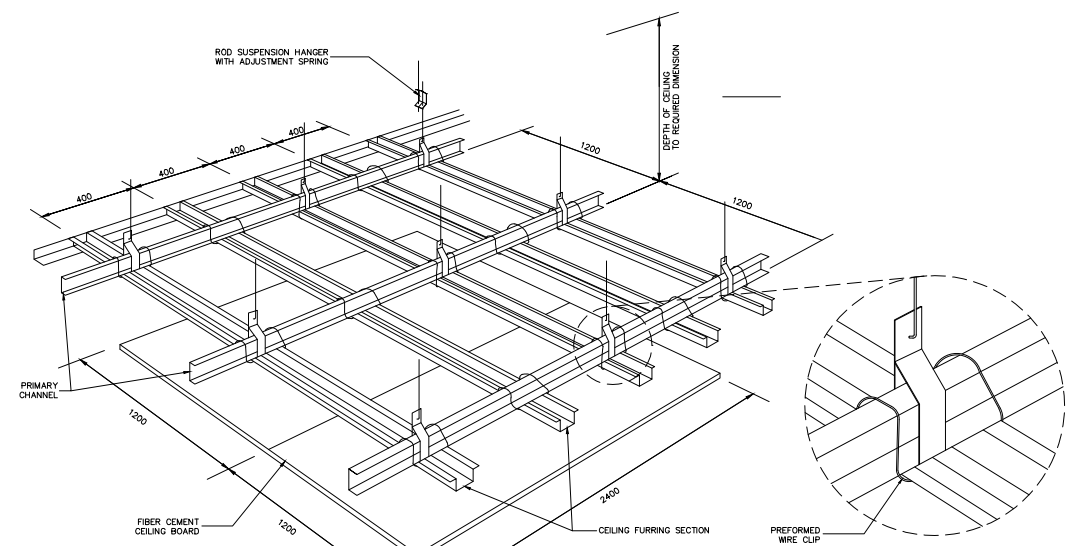


B
A-05 SCALE 1 : 15 M.



D
A-05 SCALE NTS

C
A-05 SCALE NTS



E
A-05 SCALE NTS

SPOT DETAIL



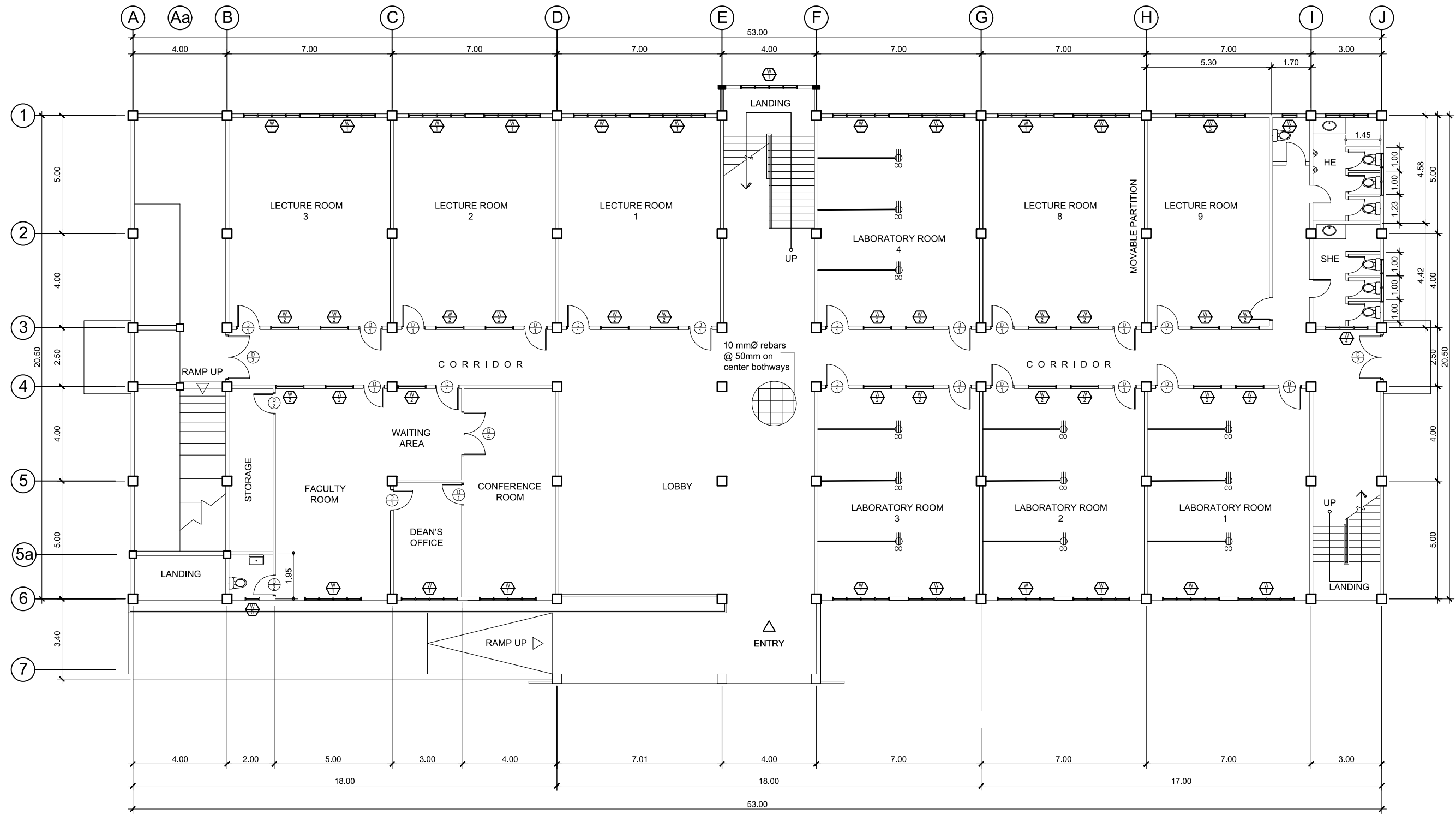
SOUTHERN LEYTE STATE UNIVERSITY
SOGOD, SOUTHERN LEYTE

| | |
|---|--|
| PREPARED BY : | |
| RYAN A. MACUTO REG. CIVIL ENGINEER | ROBERTO B. PARANAS REG. CIVIL ENGINEER |
| RAYMART BULAGSAC REG. CIVIL ENGINEER | LIZANDRO C. BITANG REG. ELECTRICAL ENGINEER |


| | |
|---|---------------------------------|
| PROJECT : | OWNER : |
| PROPOSED COMPLETION OF ICT BUILDING (PHASE II) | SOUTHERN LEYTE STATE UNIVERSITY |
| LOCATION: SLSU-MAIN CAMPUS, SAN ROQUE, SOGOD SOUTHERN LEYTE | ADDRESS: SOGOD, SOUTHERN LEYTE |

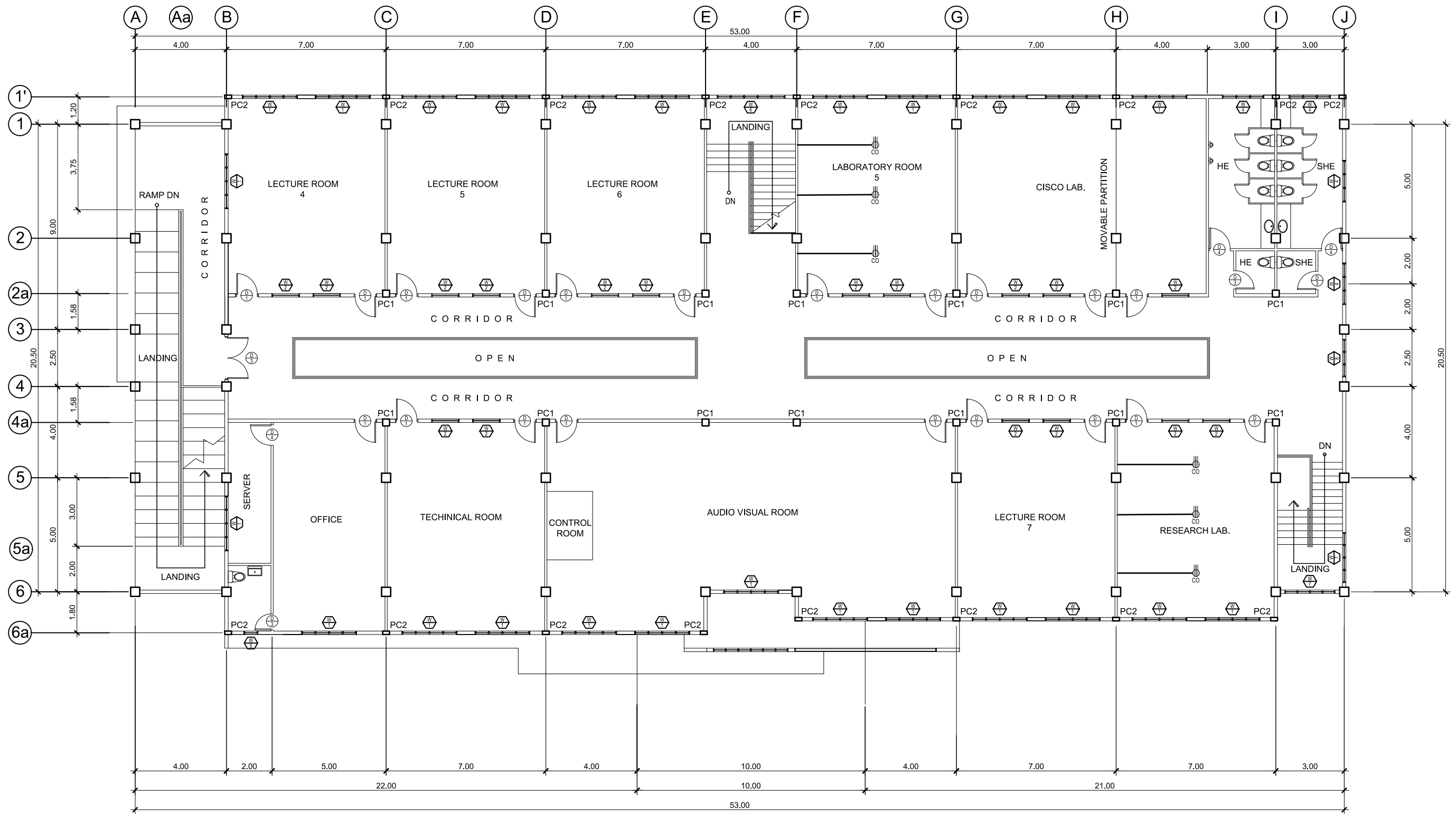
| | |
|--|---------------------------|
| APPROVED AS PER PLAN : | SHEET CONTENT |
| PROSE IVY G. YEPES, Ed. D. UNIVERSITY PRESIDENT | AS SHOWN |
| CHECKED : DRAWN : APPROVED : DATE : | SCALE AS SHOWN @ 20x30 |

| | |
|-----------|-----------|
| SHEET NO. | PROJ. NO. |
| A-05 | |




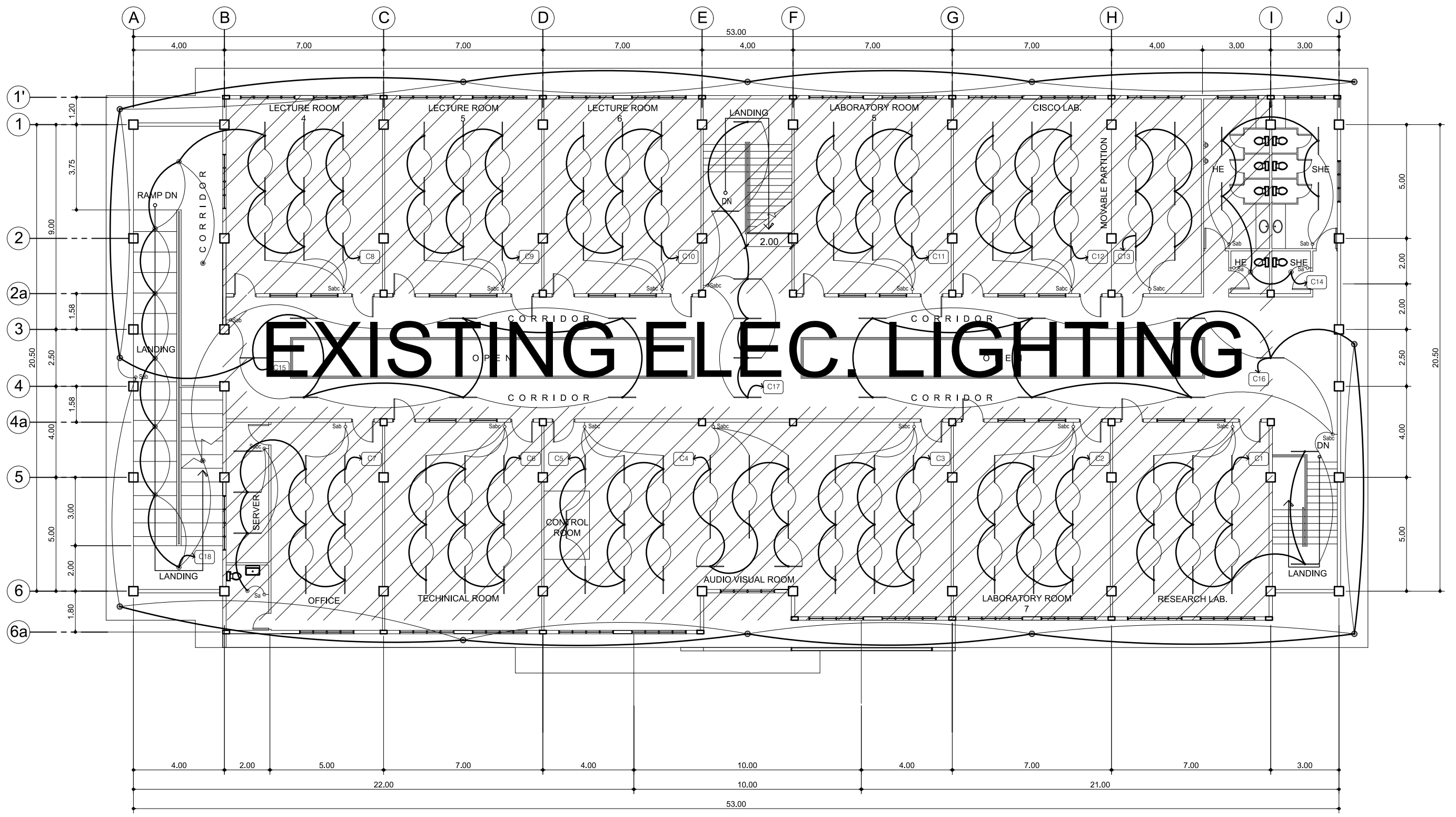

GROUND FLOOR POWER LAYOUT
 SCALE 1 : 175 M.

| | | | | | | |
|---|---|--|---|---|--|--------------------------|
|  SOUTHERN LEYTE STATE UNIVERSITY SOGOD, SOUTHERN LEYTE | PREPARED BY : RYAN A. MACUTO <small>REG. CIVIL ENGINEER</small> | PROJECT : PROPOSED COMPLETION OF ICT BUILDING (PHASE II) | OWNER : SOUTHERN LEYTE STATE UNIVERSITY | APPROVED AS PER PLAN : PROSE IVY G. YEPES, Ed. D. <small>UNIVERSITY PRESIDENT</small> | SHEET CONTENT AS SHOWN | SHEET NO. E-01 |
| | RAYMART BULAGSAC <small>REG. CIVIL ENGINEER</small> | LIZANDRO C. BITANG <small>REG. ELECTRICAL ENGINEER</small> | LOCATION: SLSU-MAIN CAMPUS, SAN ROQUE, SOGOD SOUTHERN LEYTE | ADDRESS: SOGOD, SOUTHERN LEYTE | CHECKED : DRAWN : SCALE <small>AS SHOWN @ 20x30</small> | PROJ. NO. |
| | | | | | APPROVED : DATE : | |




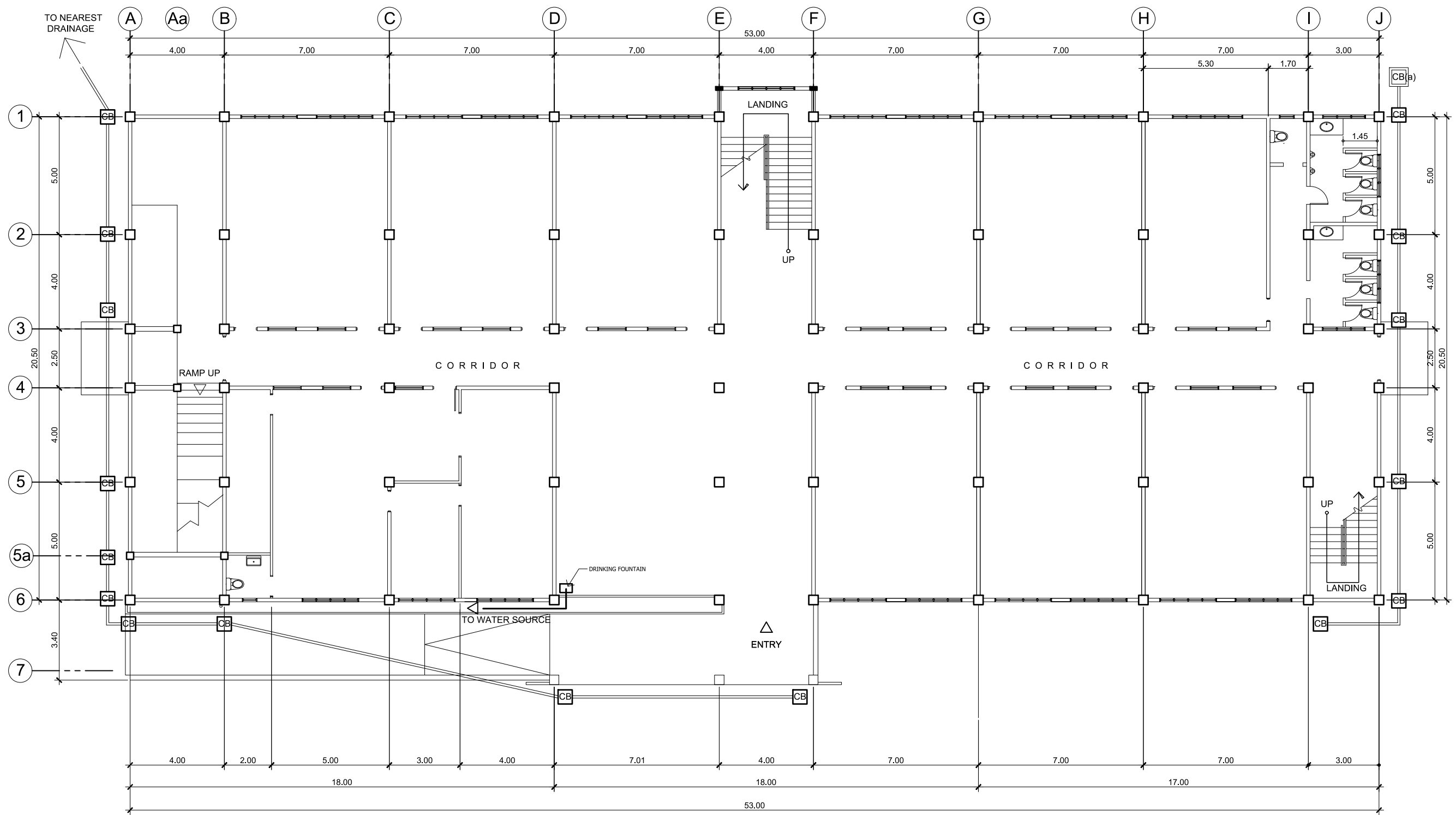
SECOND FLOOR POWER LAYOUT
 SCALE 1 : 175 M.

| | | | | | | |
|---|---|--|---|---|--|--------------------------|
|  SOUTHERN LEYTE STATE UNIVERSITY SOGOD, SOUTHERN LEYTE | PREPARED BY : RYAN A. MACUTO <small>REG. CIVIL ENGINEER</small> | PROJECT : PROPOSED COMPLETION OF ICT BUILDING (PHASE II) | OWNER : SOUTHERN LEYTE STATE UNIVERSITY | APPROVED AS PER PLAN : PROSE IVY G. YEPES, Ed. D. <small>UNIVERSITY PRESIDENT</small> | SHEET CONTENT AS SHOWN | SHEET NO. E-02 |
| | RAYMART BULAGSAC <small>REG. CIVIL ENGINEER</small> | LIZANDRO C. BITANG <small>REG. ELECTRICAL ENGINEER</small> | LOCATION: SLSU-MAIN CAMPUS, SAN ROQUE, SOGOD SOUTHERN LEYTE | ADDRESS: SOGOD, SOUTHERN LEYTE | CHECKED : DRAWN : SCALE <small>AS SHOWN @ 20x30</small> | PROJ. NO. |
| | | | | | APPROVED : DATE : | |



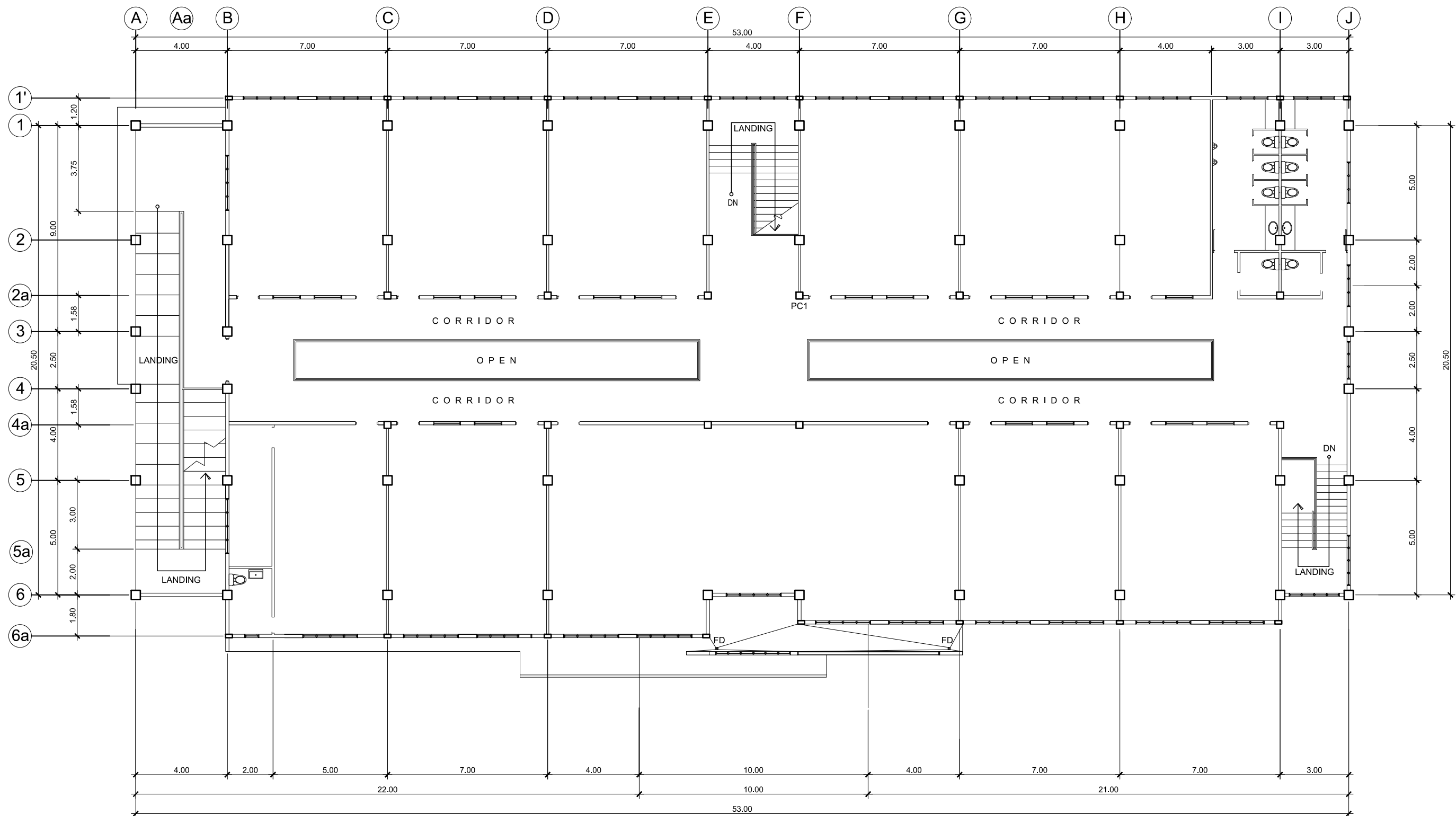
SECOND FLOOR LIGHTING LAYOUT
 SCALE 1 : 175 M.

| | | | | | | | |
|---|---|--|--|---|--|----------------------------------|--------------------------|
|  <p>SOUTHERN LEYTE STATE UNIVERSITY SOGOD, SOUTHERN LEYTE</p> | PREPARED BY : RYAN A. MACUTO REG. CIVIL ENGINEER ROBERTO B. PARANAS REG. CIVIL ENGINEER | | PROJECT : PROPOSED COMPLETION OF ICT BUILDING (PHASE II) | OWNER : SOUTHERN LEYTE STATE UNIVERSITY | APPROVED AS PER PLAN : PROSE IVY G. YEPES, Ed. D. UNIVERSITY PRESIDENT | SHEET CONTENT AS SHOWN | SHEET NO. E-03 |
| | RAYMART BULGASAC REG. CIVIL ENGINEER LIZANDRO C. BITANG REG. ELECTRICAL ENGINEER | | LOCATION : SLSU-MAIN CAMPUS, SAN ROQUE, SOGOD SOUTHERN LEYTE | ADDRESS : SOGOD, SOUTHERN LEYTE | CHECKED : DRAWN : SCALE : AS SHOWN @ 20x30 | PROJ. NO. | |
| | | | | | | | |



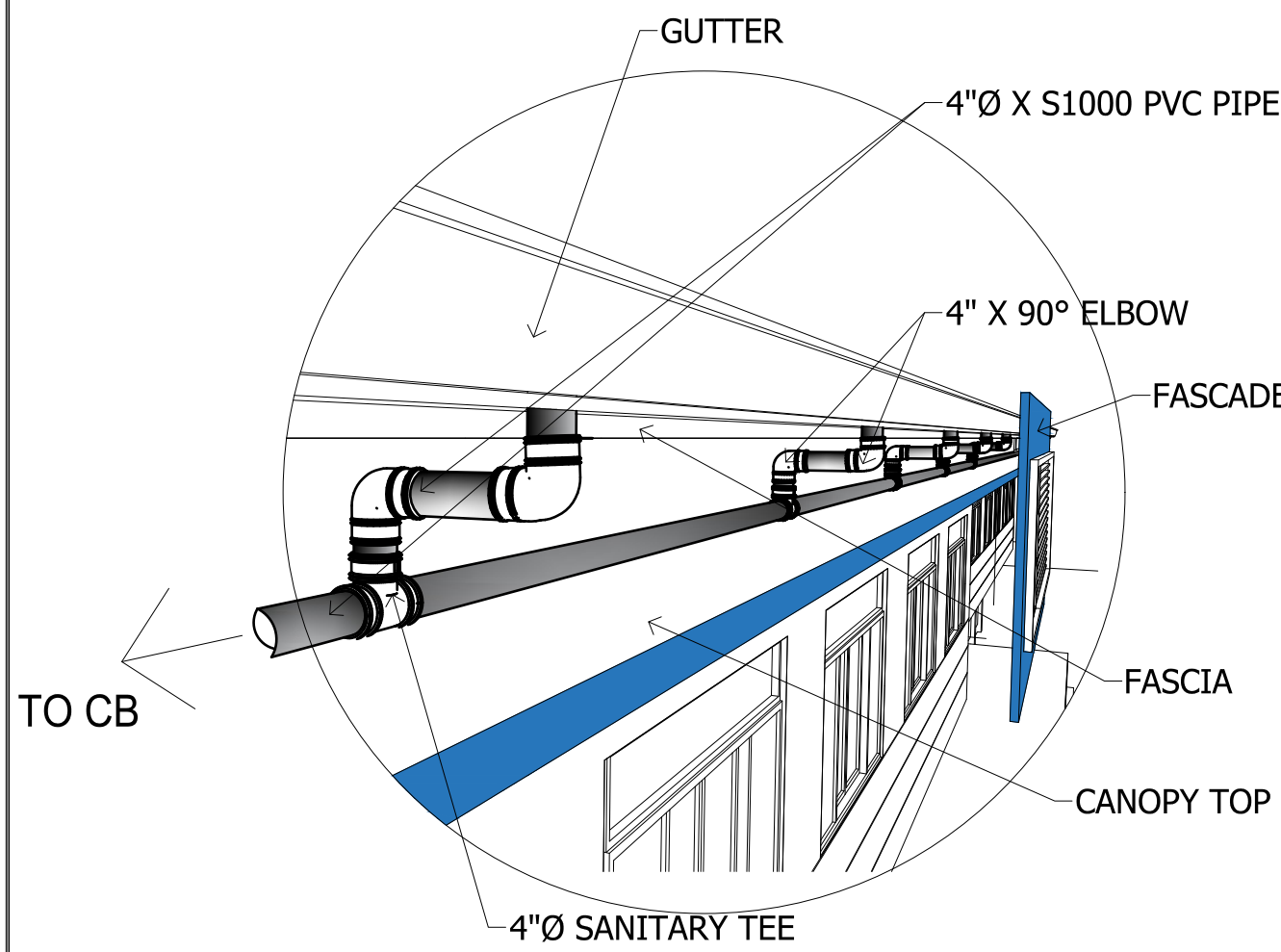
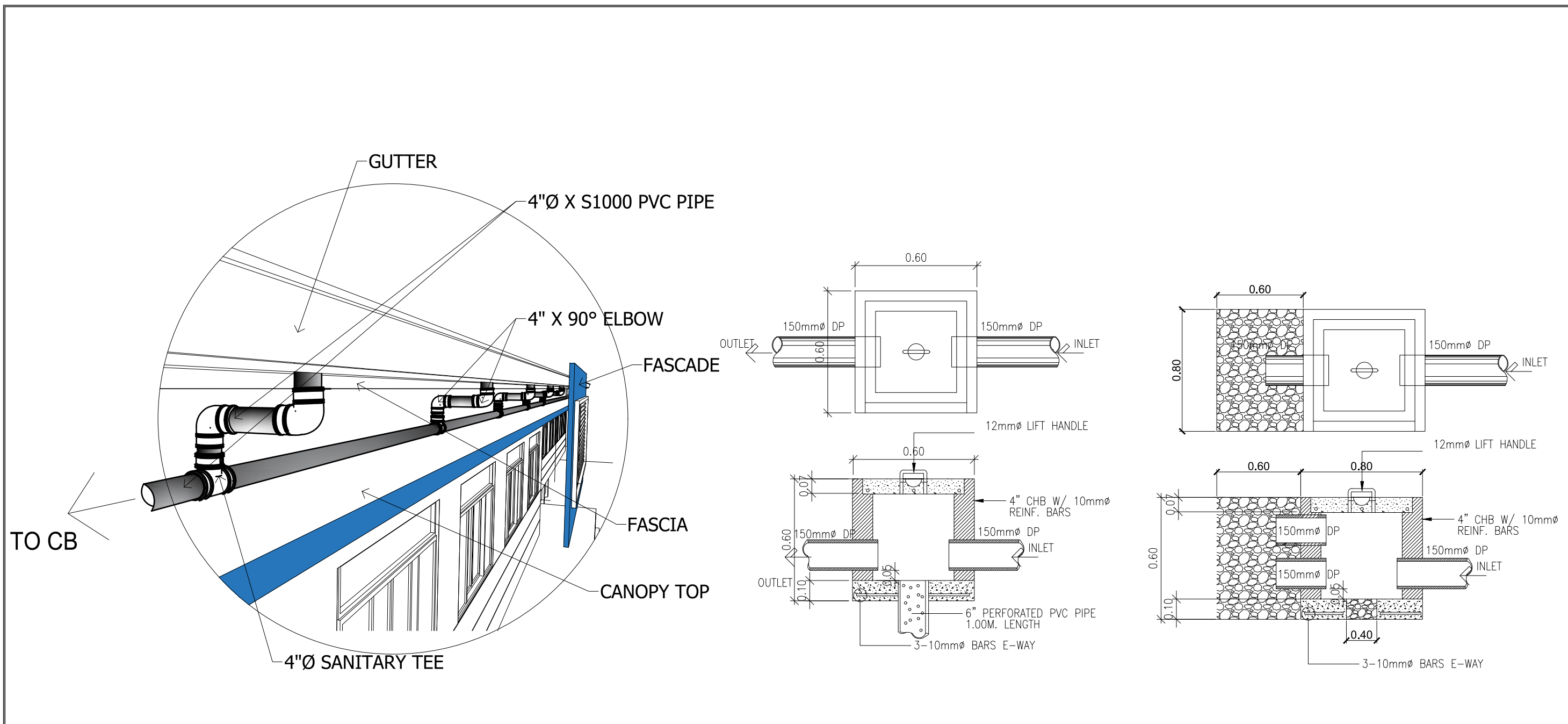
**GROUND FLOOR
PLUMBING & SANITARY LAYOUT**
 SCALE 1 : 175 M.

| | | | | | | | |
|---|---|--|--|---|---|----------------------------------|--------------------------|
| SOUTHERN LEYTE STATE UNIVERSITY SOGOD, SOUTHERN LEYTE | PREPARED BY : RYAN A. MACUTO <small>REG. CIVIL ENGINEER</small> | | PROJECT : PROPOSED COMPLETION OF ICT BUILDING (PHASE II) | OWNER : SOUTHERN LEYTE STATE UNIVERSITY | APPROVED AS PER PLAN : PROSE IVY G. YEPES, Ed. D. <small>UNIVERSITY PRESIDENT</small> | SHEET CONTENT AS SHOWN | SHEET NO. P-01 |
| | RAYMART BULAGSAC <small>REG. CIVIL ENGINEER</small> | ROBERTO B. PARANAS <small>REG. CIVIL ENGINEER</small> | LOCATION : SLSU-MAIN CAMPUS, SAN ROQUE, SOGOD SOUTHERN LEYTE | ADDRESS : SOGOD, SOUTHERN LEYTE | CHECKED : DRAWN : SCALE : AS SHOWN @ 20x30 | PROJ. NO. | |
| | LIZANDRO C. BITANG <small>REG. ELECTRICAL ENGINEER</small> | | | | APPROVED : DATE : | | |

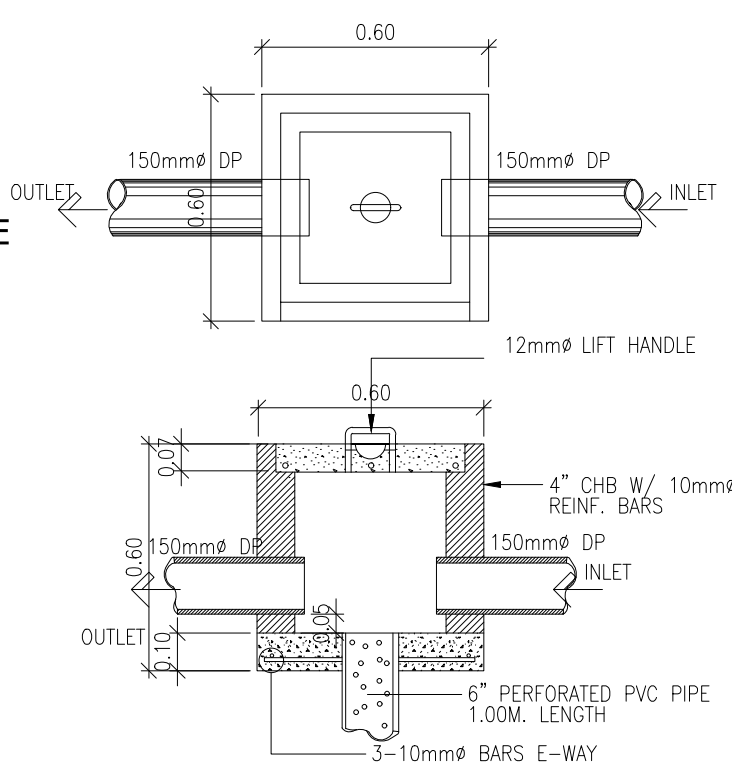


**SECOND FLOOR
SANITARY LAYOUT**
 SCALE 1 : 175 M.

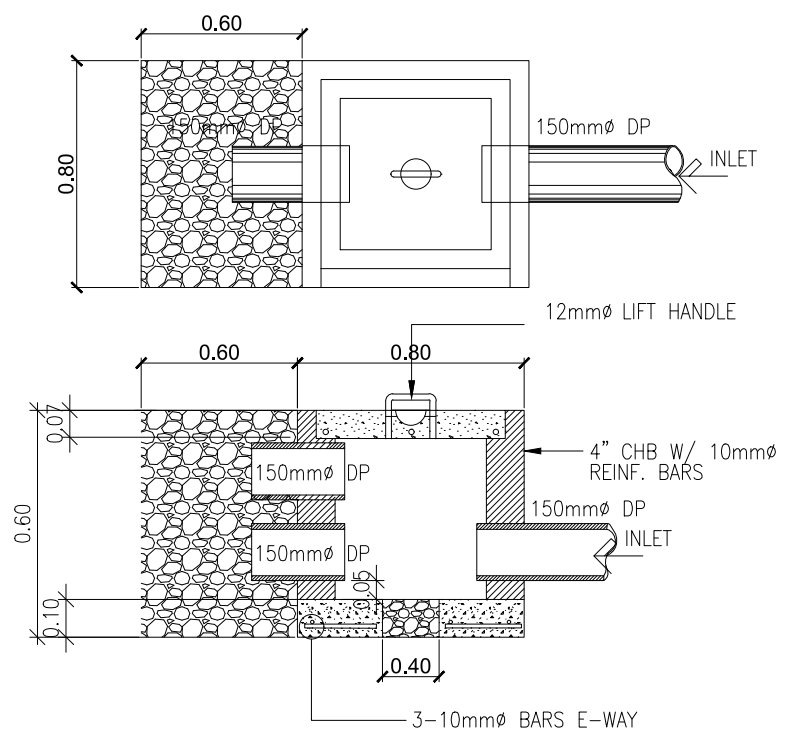
| | | | | | | | |
|---|---|--|---|---------------------------------|--|-------------------------|-------------------|
| <p>SOUTHERN LEYTE STATE UNIVERSITY SOGOD, SOUTHERN LEYTE</p> | PREPARED BY : | | PROJECT : | OWNER : | APPROVED AS PER PLAN : | SHEET CONTENT | SHEET NO. |
| | RYAN A. MACUTO REG. CIVIL ENGINEER | ROBERTO B. PARANAS REG. CIVIL ENGINEER | PROPOSED COMPLETION OF ICT BUILDING (PHASE II) | SOUTHERN LEYTE STATE UNIVERSITY | PROSE IVY G. YEPES, Ed. D. UNIVERSITY PRESIDENT | AS SHOWN | P-02 |
| | RAYMART BULAGSAC REG. CIVIL ENGINEER | LIZANDRO C. BITANG REG. ELECTRICAL ENGINEER | LOCATION: SLSU-MAIN CAMPUS, SAN ROQUE, SOGOD SOUTHERN LEYTE | ADDRESS: SOGOD, SOUTHERN LEYTE | | CHECKED : APPROVED : | DRAWN : DATE : |




A
P-03 SCALE N T S
FRONT DOWNSPOUT DETAIL



B
P-03 SCALE N T S
CATCH BASIN DETAIL

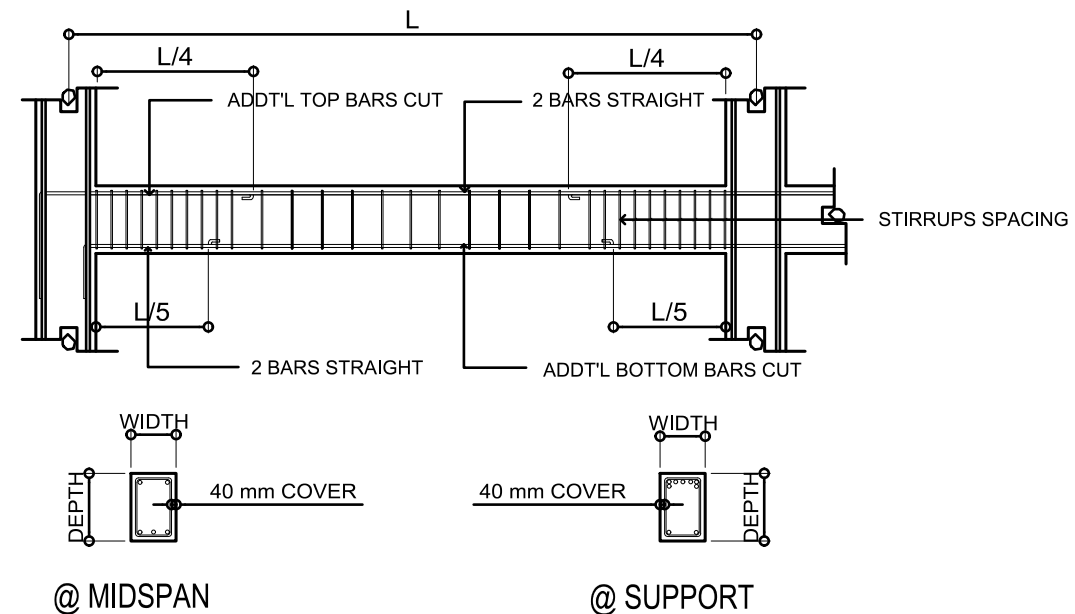


C
P-03 SCALE N T S
CATCH BASIN (a) DETAIL

| | | | | | | | |
|---|---|--|--|---|--|----------------------------------|--------------------------|
|  <p>SOUTHERN LEYTE STATE UNIVERSITY SOGOD, SOUTHERN LEYTE</p> | PREPARED BY : RYAN A. MACUTO REG. CIVIL ENGINEER ROBERTO B. PARANAS REG. CIVIL ENGINEER | | PROJECT : PROPOSED COMPLETION OF ICT BUILDING (PHASE II) | OWNER : SOUTHERN LEYTE STATE UNIVERSITY | APPROVED AS PER PLAN : PROSE IVY G. YEPES, Ed. D. UNIVERSITY PRESIDENT | SHEET CONTENT AS SHOWN | SHEET NO. P-03 |
| | RAYMART BULAGSAC REG. CIVIL ENGINEER LIZANDRO C. BITANG REG. ELECTRICAL ENGINEER | | LOCATION: SLSU-MAIN CAMPUS, SAN ROQUE, SOGOD SOUTHERN LEYTE | ADDRESS: SOGOD, SOUTHERN LEYTE | CHECKED : DRAWN : SCALE AS SHOWN @ 20x30 | PROJ. NO. | |
| | | | | | | APPROVED : DATE : | |

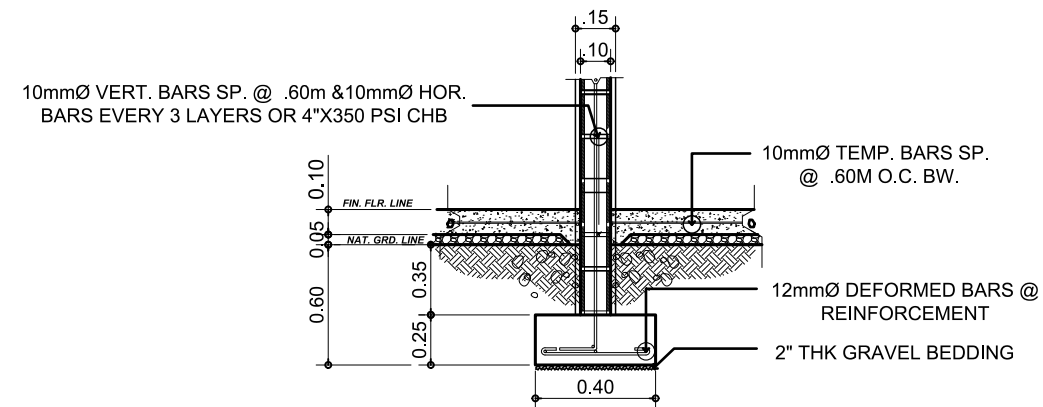
SCHEDULE OF BEAMS

| BEAM NAME | SECTION | | SPAN | REINFORCEMENT | | | STIRRUPS |
|-----------|-----------|-----------|------|-------------------------|-------------------------|-------------------------|---|
| | width(mm) | depth(mm) | | @ Exterior Support | @ Mid Span | @ Interior Support | |
| 2B-1 | 300 | 400 | vary | 4-d20 2-d16 2-d20 | 2-d20 2-d16 4-d20 | 4-d20 2-d16 2-d20 | d10mm BARS STIRRUPS SPCD 2@50mm; 3@100mm; rest @ 150mm |
| 2B-2 | 200 | 300 | vary | 3-d20 2-d16 2-d20 | 2-d20 2-d16 3-d20 | 3-d20 2-d16 2-d20 | d10mm BARS STIRRUPS SPCD 2@50mm; 3@100mm; rest @ 150mm |
| 2B-3 | 250 | 300 | vary | 3-d16 2-d16 2-d16 | 2-d16 2-d16 3-d16 | 3-d16 2-d16 2-d16 | d10mm BARS STIRRUPS SPCD 5@50mm; 10@100mm; rest @ 150mm |
| RB-1 | 200 | 300 | vary | 3-d20 2-d16 2-d20 | 2-d20 2-d16 3-d20 | 3-d20 2-d16 2-d20 | d10mm BARS STIRRUPS SPCD 2@50mm; 3@100mm; rest @ 150mm |
| RB-2 | 200 | 300 | vary | 3-d16 2-d16 2-d16 | 2-d16 2-d16 3-d16 | 3-d16 2-d16 2-d16 | d10mm BARS STIRRUPS SPCD 2@50mm; 3@100mm; rest @ 150mm |



TYPICAL BEAM DETAIL
SCALE: 1/8" = 1'-0" NTS

NOTE: NO SPLICE SHALL BE PERMITTED @ MIDSPAN FOR
BOTTOM BARS OR NEAR THE SUPPORTS FOR TOP BARS
MIN. SPLICE LENGTH = 40 X BAR DIAMETER

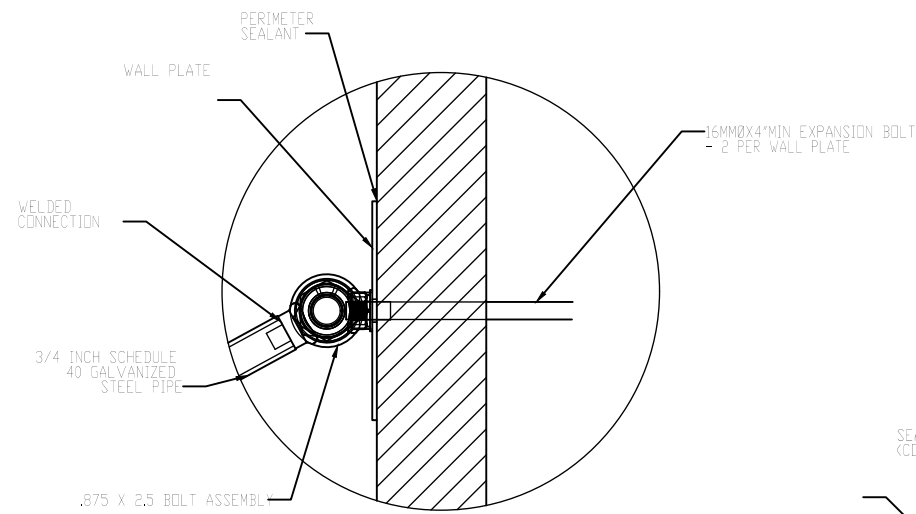


TYPICAL WALL FOOTING DET.
SCALE: 1/8" = 1'-0" NTS

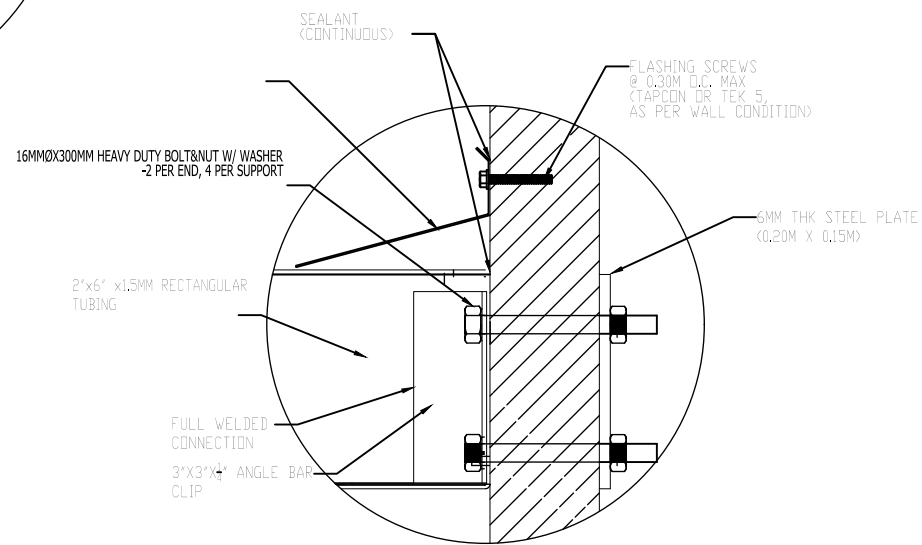
STRUCTURAL DESIGN OF SLAB

| SLAB NO. | SHORT DIRECTION BAR SPACING | | | | LONG DIRECTION BAR SPACING | | |
|----------|-----------------------------|------------------------|-----------------------------|--------------------------------|----------------------------|-----------------------------|--------------------------------|
| | THICKNESS | MIDSPAN (BOTTOM LAYER) | CONTINUOUS EDGE (TOP LAYER) | DISCONTINUOUS EDGE (TOP LAYER) | MIDSPAN (BOTTOM LAYER) | CONTINUOUS EDGE (TOP LAYER) | DISCONTINUOUS EDGE (TOP LAYER) |
| S1 | 150 mm | 12 mm Ø @ 100 mm | 12 mm Ø @ 200 mm | 12 mm Ø @ 200 mm | 12 mm Ø @ 100 mm | 12 mm Ø @ 200 mm | 12 mm Ø @ 200 mm |

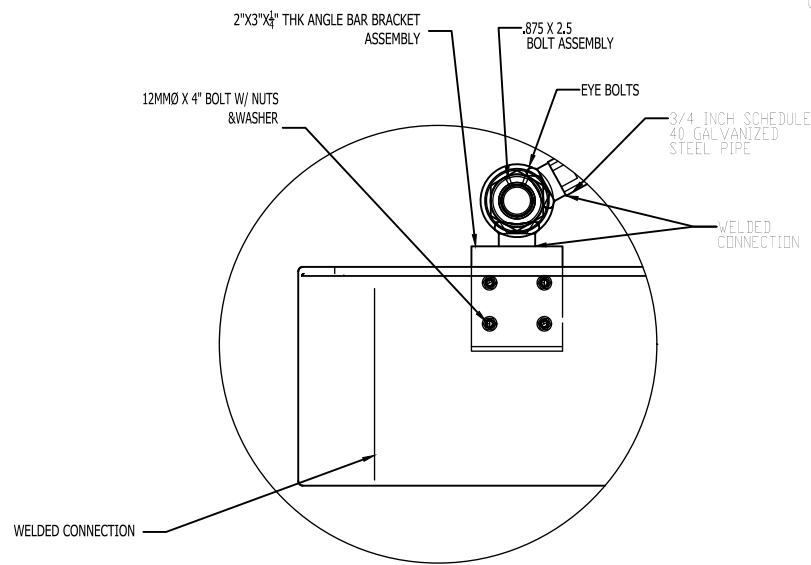
| | | | | | | |
|---|---|---|---------------------------------|--|-------------------------|-------------------|
| <p>SOUTHERN LEYTE STATE UNIVERSITY SOGOD, SOUTHERN LEYTE</p> | PREPARED BY : | PROJECT : | OWNER : | APPROVED AS PER PLAN : | SHEET CONTENT | SHEET NO. |
| | RYAN A. MACUTO REG. CIVIL ENGINEER ROBERTO B. PARANAS REG. CIVIL ENGINEER | PROPOSED COMPLETION OF ICT BUILDING (PHASE II) | SOUTHERN LEYTE STATE UNIVERSITY | PROSE IVY G. YEPES, Ed. D. UNIVERSITY PRESIDENT | AS SHOWN | S-01 |
| | RAYMART BULAGSAC REG. CIVIL ENGINEER LIZANDRO C. BITANG REG. ELECTRICAL ENGINEER | LOCATION: SLSU-MAIN CAMPUS, SAN ROQUE, SOGOD SOUTHERN LEYTE | ADDRESS: SOGOD, SOUTHERN LEYTE | | CHECKED : APPROVED : | DRAWN : DATE : |




DETAIL A
SCALE: NTS

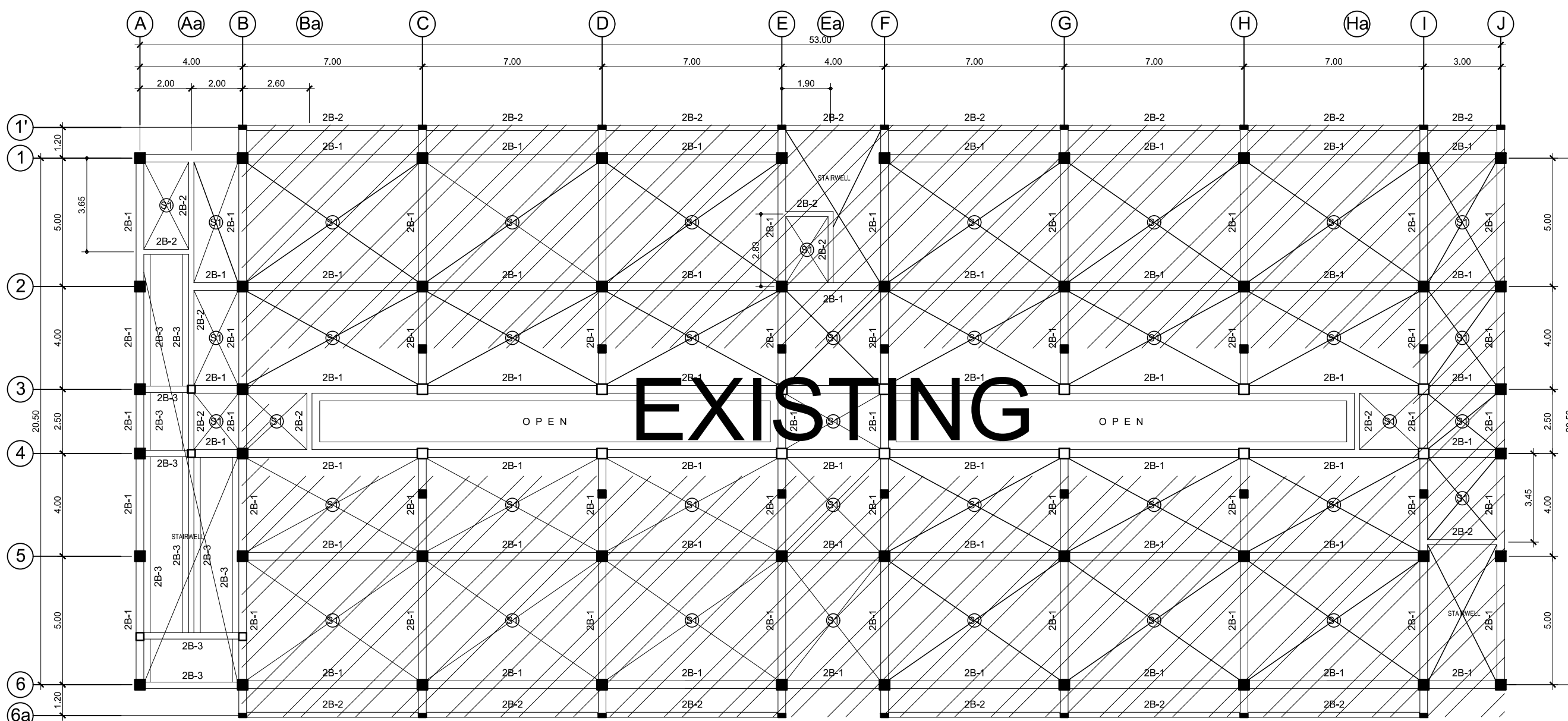


DETAIL B
SCALE: NTS




DETAIL C
SCALE: NTS

| | | | | | | | |
|---|---|--|--|---|--|----------------------------------|--------------------------|
|  <p>SOUTHERN LEYTE STATE UNIVERSITY SOGOD, SOUTHERN LEYTE</p> | PREPARED BY : RYAN A. MACUTO REG. CIVIL ENGINEER ROBERTO B. PARAMAS REG. CIVIL ENGINEER | | PROJECT : PROPOSED COMPLETION OF ICT BUILDING (PHASE II) | OWNER : SOUTHERN LEYTE STATE UNIVERSITY | APPROVED AS PER PLAN : PROSE IVY G. YEPES, Ed. D. UNIVERSITY PRESIDENT | SHEET CONTENT AS SHOWN | SHEET NO. S-02 |
| | RAYMART BULAGSAC REG. CIVIL ENGINEER LIZANDRO C. BITANG REG. ELECTRICAL ENGINEER | | LOCATION: SLSU-MAIN CAMPUS, SAN ROQUE, SOGOD SOUTHERN LEYTE | ADDRESS: SOGOD, SOUTHERN LEYTE | CHECKED : DRAWN : APPROVED : DATE : | SCALE AS SHOWN @ 20x30 | PROJ. NO. |
| | | | | | | | |



EXISTING


SECOND FLOOR BEAM FRAMING PLAN
 SCALE 1 : 175 M.

| | | | | | | | | |
|---|---|--|---|---------------------------------|--|-------------------------|-------------------|---------------------------|
|  <p>SOUTHERN LEYTE STATE UNIVERSITY SOGOD, SOUTHERN LEYTE</p> | PREPARED BY : | | PROJECT : | OWNER : | APPROVED AS PER PLAN : | SHEET CONTENT | | SHEET NO. |
| | RYAN A. MACUTO REG. CIVIL ENGINEER | ROBERTO B. PARANAS REG. CIVIL ENGINEER | PROPOSED COMPLETION OF ICT BUILDING (PHASE II) | SOUTHERN LEYTE STATE UNIVERSITY | PROSE IVY G. YEPES, Ed. D. UNIVERSITY PRESIDENT | AS SHOWN | | S-03 |
| | RAYMART BULAGSAC REG. CIVIL ENGINEER | LIZANDRO C. BITANG REG. ELECTRICAL ENGINEER | LOCATION: SLSU-MAIN CAMPUS, SAN ROQUE, SOGOD SOUTHERN LEYTE | ADDRESS: SOGOD, SOUTHERN LEYTE | | CHECKED : APPROVED : | DRAWN : DATE : | SCALE AS SHOWN @ 20x30 |