

## ANNEX "C"

### **MONOBLOCK CHAIR**

Teacher Education (15 pieces)

*Specifications:*

Plastic, no arm

Color: off-white

Teacher Education, CCSIT, Guidance (288 pieces)

*Specifications:*

Plastic, no arm

Color: white



### **MONOBLOCK CHAIR** (213 pieces)

Food Science, Criminal Justice, CCSIT

*Specifications:*

Plastic, with writing pad

Color: white



**WOODEN SOFA (4 units)**

Graduate Studies

Specifications: with backrest

Material: hardwood

Color: chocolate brown



**AVR CHAIR (60 units)**

CCSIT

*Specifications:* Ergonomic Multi-Purpose Stack Chair, Black Injection Molding Plastic Shell, Black powder coated frame finish, 880 lbs. Static Load capacity, Vented black, Supportive Dual Steel Cross Braces, 15 x 30 x 1.2mm Metal gauge, Non-Marring Plastic Floor Glides



**WORKING TABLE (6 units)**

FoodSci

*Specifications:*  
Stainless Table 6' x 3'



**GLASS DISPLAY CABINET (1 unit)**

Food Science Technology

Specifications:

Any color

Material: wood, glass door w/ wooden frame

1.20 m x 0.6m x 2.10m



**COMPUTER LABORATORY TABLE (90 units)**

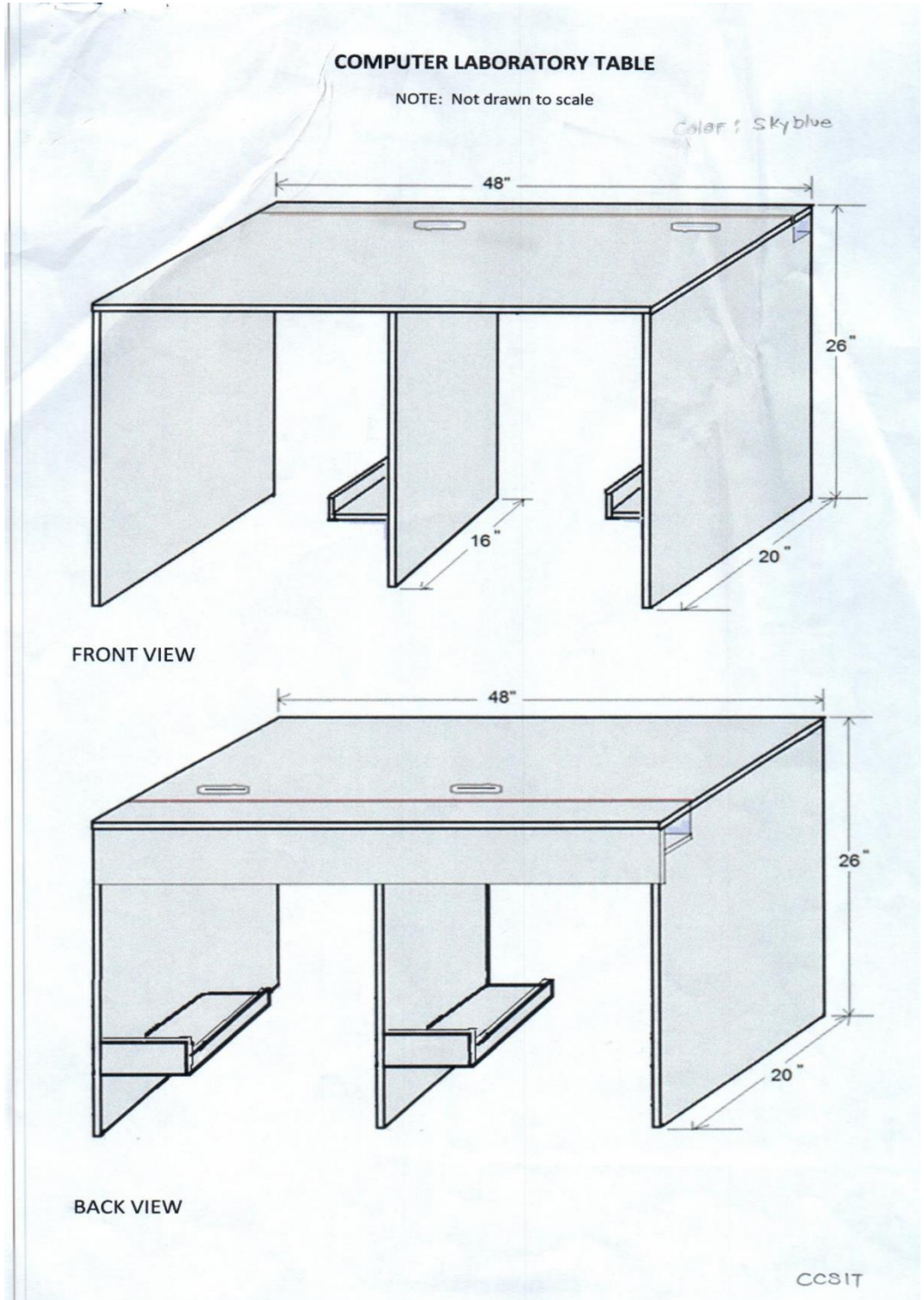
CCSIT

Specifications:

48"W x 20"D x 26"H

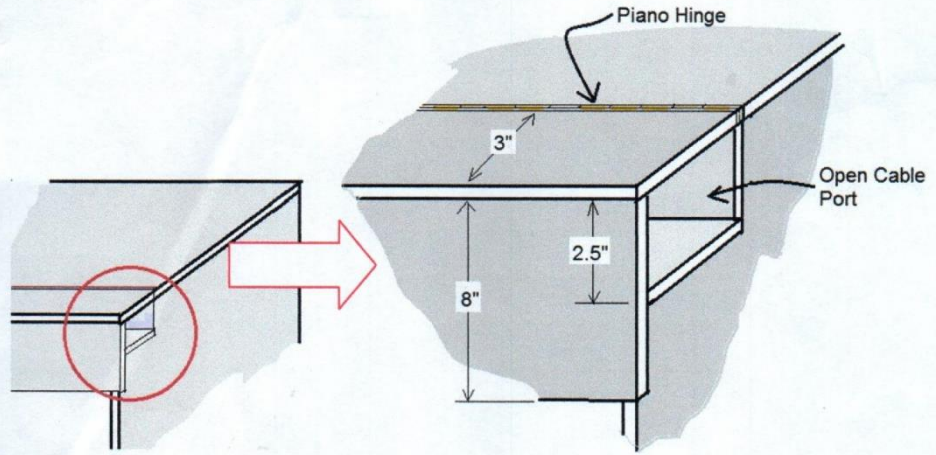
UTP cable and wire compartment:

2.5"L x 3"W x 8"H

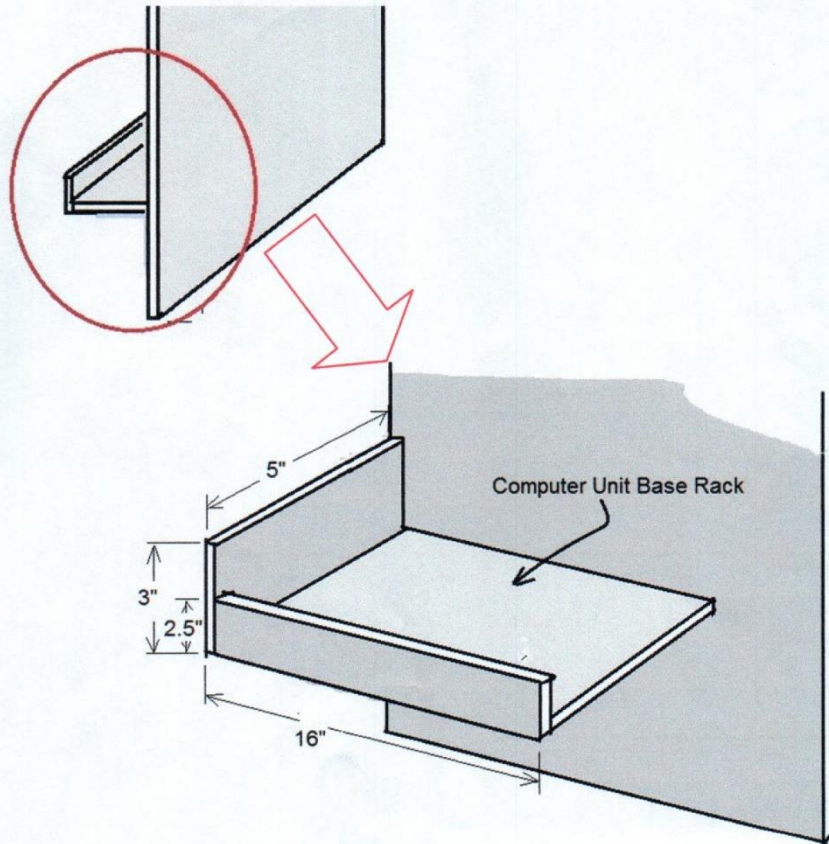


Computer Unit Base Rack:  
2.5L" x 5W" x 16D" x 3H"  
Color: sky blue

UTP Cables & Wire Compartment



Computer Unit Base Rack



**COMPUTER LONG TABLE (15 units)**

CCSIT

Specifications:

**9 tables for lecture**

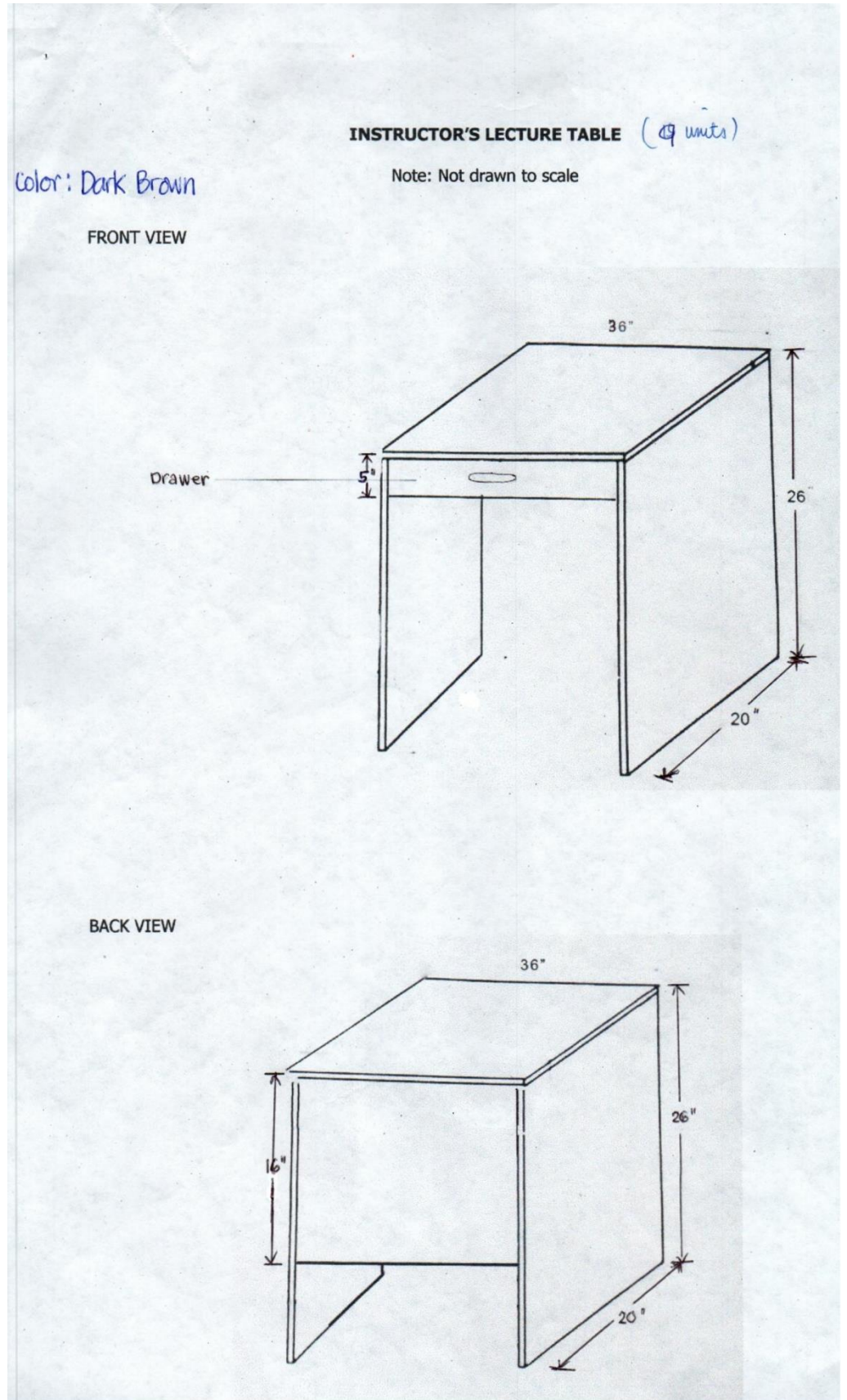
(Front view)

5"L x 36W" x 20D" x 26H"

(Back view)

16"L x 36W" x 20D" x 26H"

Color: Dark Brown



**6 tables for laboratory**

(Front view)

5"L x 36W" x 20D" x 26H"

(Back view)

16"L x 36W" x 20D" x 26H"

UTP Cables & wire Compartment:

2.5"L x 3"W x 16"H

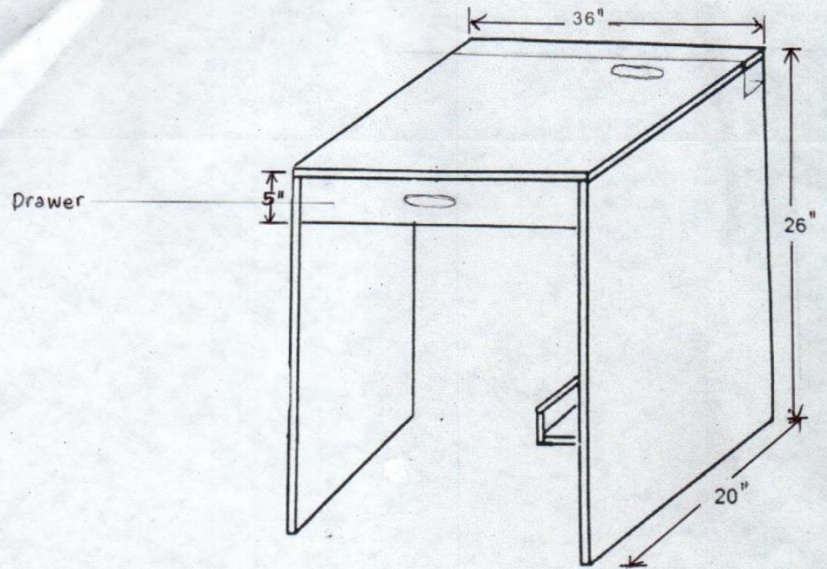
Dark Brown

**INSTRUCTOR'S LABORATORY TABLE**

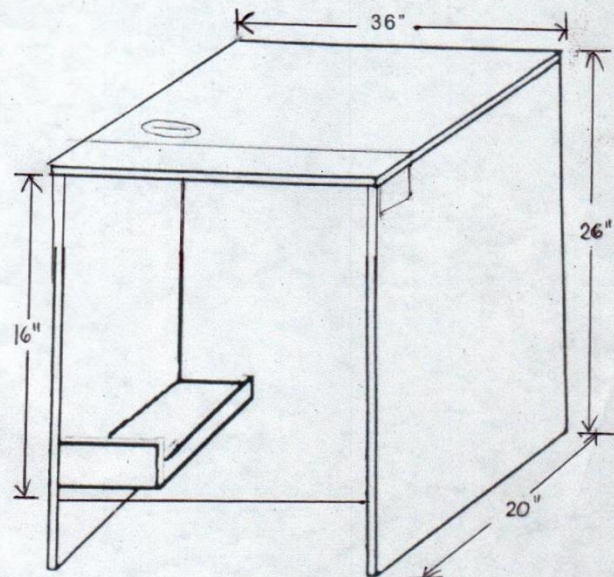
(6 units)

Note: Not drawn to scale

FRONT VIEW



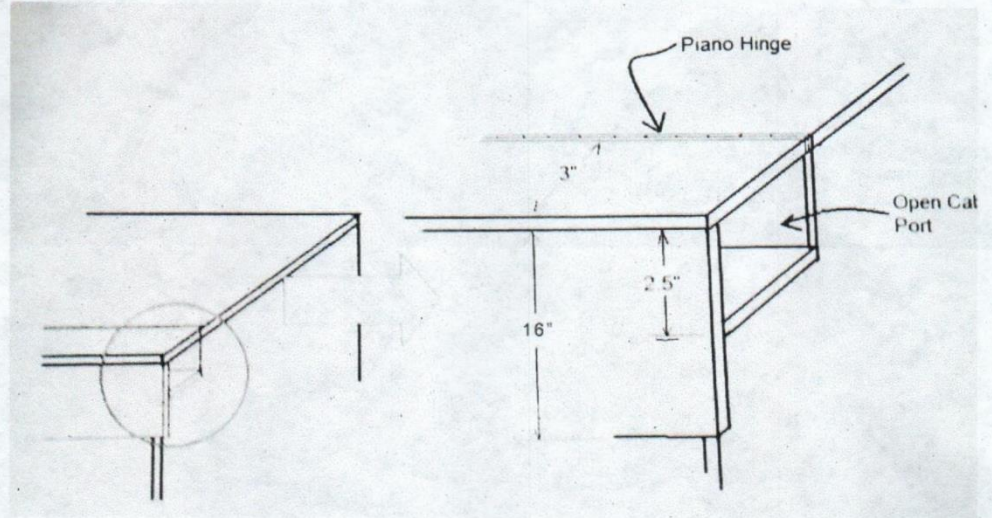
BACK VIEW



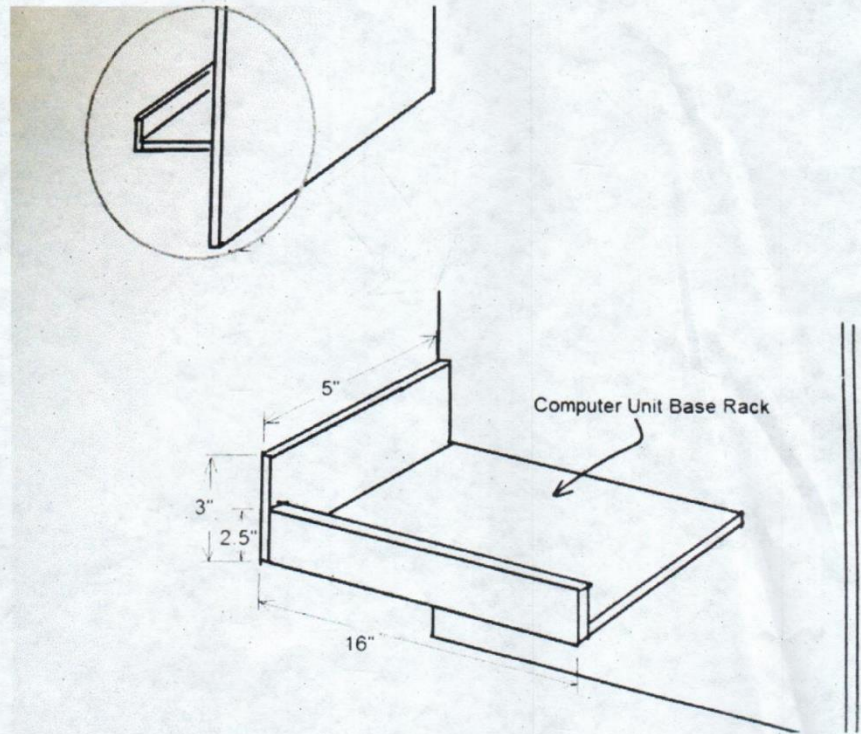


Computer Unit Base Rack:  
2.5L" x 5"W x 16"D x 3"H  
Color: Dark Brown

UTP Cables & Wire Compartment



Computer Unit Base Rack



**STORAGE CABINET (2 units)**

R & D

GIS

Specifications:

Color: Beige or Black

Features:

-4 adjustable Shelves

-with Lock

-Sliding Glass Door

Dimension: L900 mm x W390 x H1800 mm



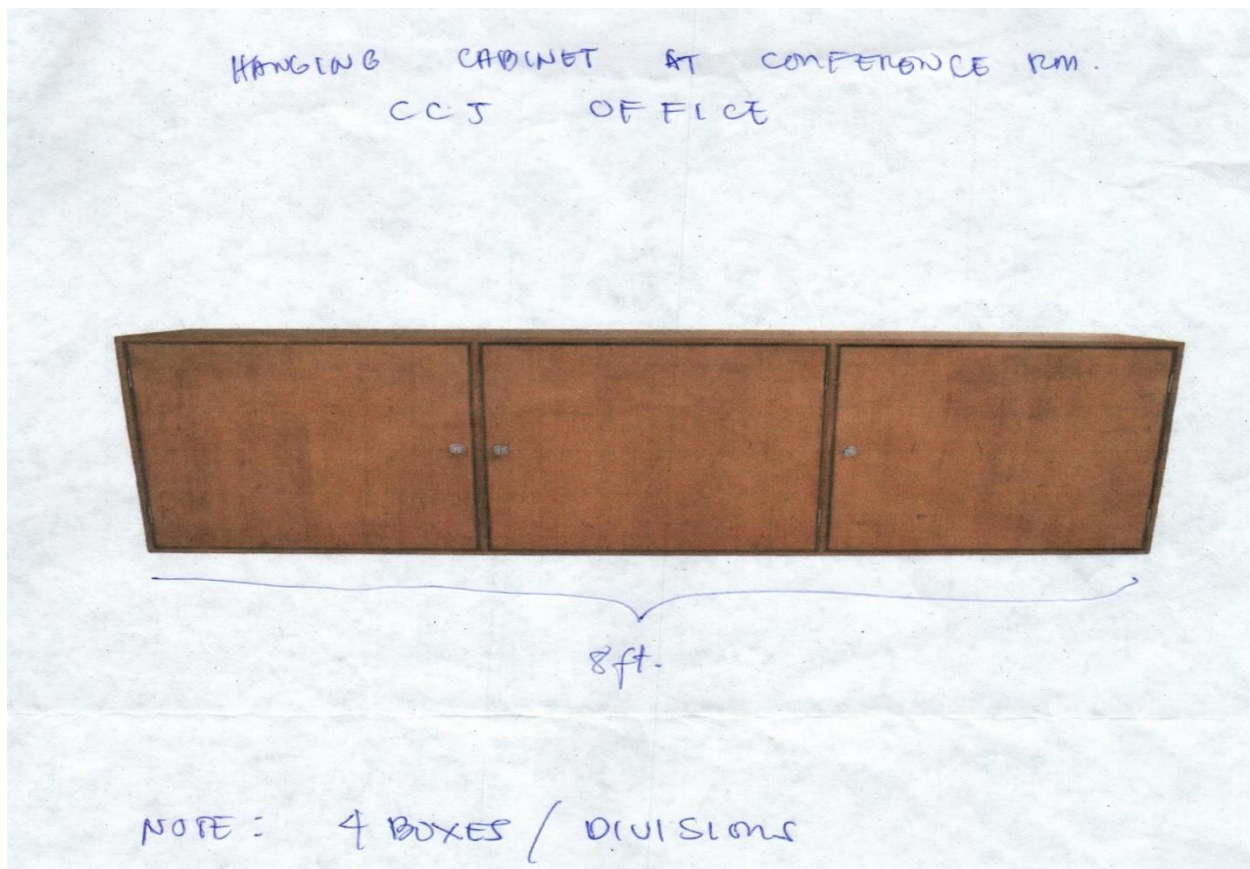
**HANGING CABINET (1 unit)**

CRIM. JUSTICE

Specifications: 8ft. wide

4 boxes/divisions

Materials: wood



**RACK/SHELF (2 units)**  
**LIBRARY**

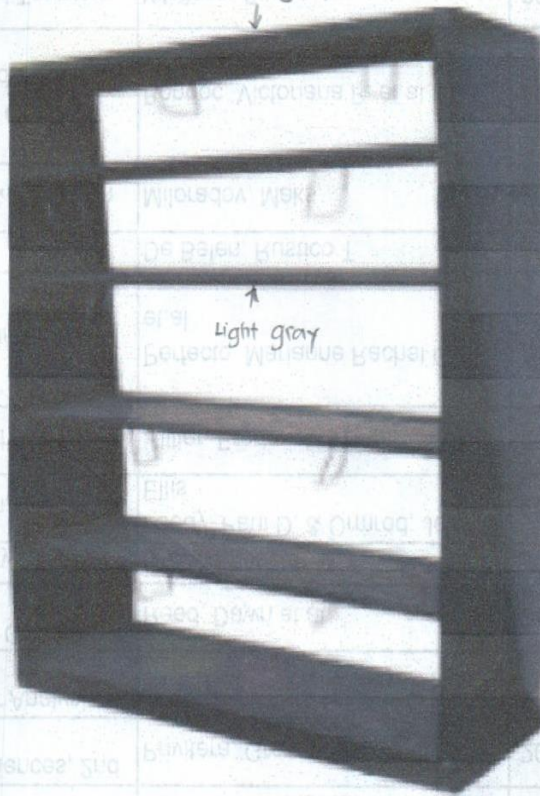
**5. Rack/Shelf design:**

89W x 30.5D X 178Hcm

5 layer steel book shelf

Light gray and mahogany Color

capacity:  
45 kgs. each layer



Library

**STACKABLE PLASTIC OFFICE CHAIRS (5 units)**

R & D

GIS

*Specifications:*

54L x 43W x 80H cm

100kgs base capacity

Simple Fixed Mechanism Type

Black Color

Thick Powder Coated Steel Frame

PP Seater and backrest



**STEEL CABINET (4 units)**

Computer Engineering

*Specifications:*

Lockset

3 Adjustable Shelves

Thickness 0.8mm

Size: H1829 x L915 x D457

Color: Light Grey



**STEEL CABINET (3 units)**

NSTP-CWTS

NSTP-ROTC

*Specifications:*

4 drawers w/ lock, color: white

Materials: Steel



**STEEL CABINET (1 unit)**

Guidance

*Specifications:*

Color: Moss Green

4-drawer



**STEEL CABINET (1 unit)**

TECHVOC

*Specifications:* Steel Cabinet,  
6-layer utility cabinet (CC-C18),  
Standard size: H1850 x W900 x D400mm,  
Thickness 0.6mm, color: gray,  
with lock and handle



**STEEL INDEX FILE CABINET 24 DRAWERS (CHANGE STAND TO WHEELS) (1 unit)**

LIBRARY

Steel index card file cabinet

Specifications: 24 drawers, 06- vertical and 04- 3" height x 5" width card size,

16" height of stand with wheels,

One divider per drawer, with single automatic Lock and duplicate keys,

Drawers equip with cardholder,

Divider and finger tab pull handle,

Painted in gray



**MOBILE PEDESTAL (2 units)**

R & D

GIS

*Specifications:*

3-drawer Black

File Divider and 5 Castors

Materials: Steel with Powder Coating

Actual Dimensions: 40 (w) x 56.5 (d) x 65.5 (h) cm

Color: Black



**MODULAR SEATING CUBES (1 unit)**

Library

*Specifications:*

Custom color: Blue (leatherette)

D140 x H75cm



**SFT-753J**

Modular Cubes  
custom color

(leatherette)  
D140xH75cm

**READING TABLE (50 units)**

Library

*Specifications:*

Sizes: 90D x 75H cm

Wood grain Top





**READING CHAIRS (300 units)**

Library

*Specifications:*

Visitors Chair

Leatherette

Chrome



**BOOKSTAND (30 units)**

Library

*Specifications:*

Material: Iron + ABS

Size: 22 x 6.5cm / 8.7\*2.6inch

Practical and adjustable design

Ideal for students of office people use

Conducive to correct reading posture

A reading tool for us high concentration and posture

